



## DLAP-3000/3100-CF Series

Embedded System supporting MXM Graphics Module with 8th/9th Generation Intel® Core™ i7/i5/i3 in LGA1151 Socket

### User's Manual



**Manual Rev.:** 1.2

**Revision Date:** August 12, 2021

**Part No:** 50M-00019-1020

LEADING EDGE COMPUTING

## Revision History

Revision	Release Date	Description of Change(s)
1.0	2020-12-23	Initial release
1.1	2021-04-19	Add MXM cooler for RTX5000 and 500W power supply; update specifications and DisplayPort BIOS settings
1.2	2021-08-12	Update specifications, M.2 installation procedure

# Preface

## Copyright © 2020, 2021 ADLINK Technology Inc.

This document contains proprietary information protected by copyright. All rights are reserved. No part of this manual may be reproduced by any mechanical, electronic, or other means in any form without prior written permission of the manufacturer.

### Disclaimer

The information in this document is subject to change without prior notice in order to improve reliability, design, and function and does not represent a commitment on the part of the manufacturer.

In no event will the manufacturer be liable for direct, indirect, special, incidental, or consequential damages arising out of the use or inability to use the product or documentation, even if advised of the possibility of such damages.

### Environmental Responsibility

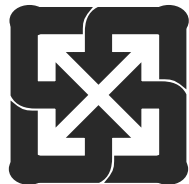
ADLINK is committed to fulfill its social responsibility to global environmental preservation through compliance with the European Union's Restriction of Hazardous Substances (RoHS) directive and Waste Electrical and Electronic Equipment (WEEE) directive. Environmental protection is a top priority for ADLINK. We have enforced measures to ensure that our products, manufacturing processes, components, and raw materials have as little impact on the environment as possible. When products are at their end of life, our customers are encouraged to dispose of them in accordance with the product disposal and/or recovery programs prescribed by their nation or company.



### Battery Labels (for products with battery)



**Li-ion**



廢電池請回收

## California Proposition 65 Warning



**WARNING:** This product can expose you to chemicals including acrylamide, arsenic, benzene, cadmium, Tris(1,3-dichloro-2-propyl) phosphate (TDCPP), 1,4-Dioxane, formaldehyde, lead, DEHP, styrene, DINP, BBP, PVC, and vinyl materials, which are known to the State of California to cause cancer, and acrylamide, benzene, cadmium, lead, mercury, phthalates, toluene, DEHP, DIDP, DnHP, DBP, BBP, PVC, and vinyl materials, which are known to the State of California to cause birth defects or other reproductive harm. For more information go to [www.P65Warnings.ca.gov](http://www.P65Warnings.ca.gov).

## Trademarks

Product names mentioned herein are used for identification purposes only and may be trademarks and/or registered trademarks of their respective companies.

## Conventions

Take note of the following conventions used throughout this manual to make sure that users perform certain tasks and instructions properly.



NOTE:

---

Additional information, aids, and tips that help users perform tasks.



CAUTION:

---

Information to prevent **minor** physical injury, component damage, data loss, and/or program corruption when trying to complete a task.

*ATTENTION: Informations destinées à prévenir les blessures corporelles mineures, les dommages aux composants, la perte de données et/ou la corruption de programme lors de l'exécution d'une tâche.*



WARNING:

---

Information to prevent **serious** physical injury, component damage, data loss, and/or program corruption when trying to complete a specific task.

*AVERTISSEMENT: Informations destinées à prévenir les blessures corporelles graves, les dommages aux composants, la perte de données et/ou la corruption de programme lors de l'exécution d'une tâche spécifique.*

---

# Table of Contents

<b>Preface</b> .....	<b>iii</b>
<b>List of Tables</b> .....	<b>vii</b>
<b>List of Figures</b> .....	<b>ix</b>
<b>1 Introduction</b> .....	<b>1</b>
1.1 Overview .....	1
1.2 Features .....	1
1.3 Packing List .....	2
1.4 Optional Accessories .....	3
<b>2 Specifications</b> .....	<b>5</b>
2.1 DLAP-3000-CF .....	5
2.2 DLAP-3100-CF .....	11
2.3 DLAP-3000/3100-CF Functional Block Diagrams .....	17
2.4 Display Options .....	19
2.5 Mechanical Dimensions .....	20
<b>3 System Layout</b> .....	<b>25</b>
3.1 Front Panel .....	25
3.2 Internal I/O Connectors .....	33
<b>4 Getting Started</b> .....	<b>55</b>
4.1 Installing 2.5" Storage .....	56
4.2 Installing an M.2 Module .....	58
4.3 Installing MXM P1000/P2000/T1000 Module .....	68
4.4 Installing MXM P3000/P5000/RTX3000/RTX5000 Module .....	72
4.5 Mounting .....	78
4.6 Driver Installation .....	80

<b>A Appendix: Power Consumption .....</b>	<b>81</b>
A.1 Power Consumption Reference .....	81
<b>B Appendix: Resource Mapping .....</b>	<b>83</b>
B.1 BIOS Mapping in SPI ROM.....	83
B.2 PCI/PCIe Devices .....	84
B.3 IRQ Lines (APIC Mode) .....	85
B.4 IRQ Lines (PIC Mode).....	86
B.5 System Memory Mapping .....	87
B.6 System I/O Mapping .....	88
B.7 PCI/PCIe Interrupt Routing Mapping .....	89
B.8 SMBus Slave Address Mapping .....	90
<b>C Appendix: BIOS Setup.....</b>	<b>91</b>
C.1 BIOS Setup Menu .....	91
C.2 Menu Structure .....	93
C.3 Main Menu .....	95
C.4 Advanced Menu .....	98
C.5 Chipset.....	116
C.6 Security .....	123
C.7 Boot .....	124
C.8 Save & Exit .....	125
<b>D Appendix: DisplayPort BIOS Settings .....</b>	<b>127</b>
D.1 MXM P1000/P2000/T1000/RTX3000/RTX5000 .....	127
D.2 MXM P3000/P5000.....	128
<b>E Appendix: Digital Input/Output Function Library .....</b>	<b>129</b>
<b>Important Safety Instructions.....</b>	<b>131</b>
<b>Consignes de Sécurité Importante .....</b>	<b>133</b>
<b>Getting Service .....</b>	<b>137</b>

## List of Tables

Table 2-1:	Maximum Display Resolution .....	19
Table 3-1:	I/O Legend .....	27
Table 3-2:	Digital Input/Output Connector Pin Definition .....	29
Table 3-3:	Active/Link LED Indicators.....	31
Table 3-4:	Speed LED Indicators.....	31
Table 3-5:	D-Sub 9-pin Signal Function of COM Ports.....	32
Table 3-6:	Mainboard Connector Legend .....	35
Table 3-7:	USB 2.0 Connector Pin Definition .....	37
Table 3-8:	USB 3.2 Connector Pin Definition .....	38
Table 3-9:	PCIe Power Connector Pin Definition.....	39
Table 3-10:	SATA Connector Pin Definition .....	39
Table 3-11:	COM Connector Pin Definition .....	40
Table 3-12:	CPU/System Fan Connector Pin Definition .....	41
Table 3-13:	GPU Fan Connector Pin Definition.....	42
Table 3-14:	Audio Connector Pin Definition.....	43
Table 3-15:	COM1 RS-232/Cctalk Selection Jumper .....	44
Table 3-16:	Case Open Jumper .....	44
Table 3-17:	ME Lock Jumper.....	44
Table 3-18:	Clear CMOS Jumper .....	45
Table 3-19:	BIOS WP Jumper .....	45
Table 3-20:	Power-on Module Connector Pin Definition.....	46
Table 3-21:	DIO Connector Pin Definition .....	47
Table 3-22:	12V DC-in Connector Pin Definition .....	48
Table 3-23:	PCB Edge Connector Pin Definition .....	52
Table 3-24:	DB40 Connector Pin Definition.....	53
Table A-1:	DLAP-3000 Power Consumption.....	81
Table A-2:	DLAP-3100 Power Consumption.....	82

This page intentionally left blank.



# List of Figures

Figure 2-1: DLAP-3000-CF Functional Block Diagram .....	17
Figure 2-2: DLAP-3100-CF Functional Block Diagram .....	18
Figure 2-3: DLAP-3000-CF Front View .....	20
Figure 2-4: DLAP-3100-CF Front View .....	20
Figure 2-5: DLAP-3000/3100-CF Left Side View .....	21
Figure 2-6: DLAP-3000/3100-CF Right Side View.....	21
Figure 2-7: DLAP-3000-CF Rear View.....	22
Figure 2-8: DLAP-3100-CF Rear View.....	22
Figure 2-9: DLAP-3000/3100-CF Top View .....	23
Figure 3-1: DLAP-3000-CF Front Panel I/O.....	25
Figure 3-2: DLAP-3000-CF Rear Panel I/O .....	25
Figure 3-3: DLAP-3100-CF Front Panel I/O.....	26
Figure 3-4: DLAP-3100-CF Rear Panel I/O .....	26
Figure 3-5: Power-on Module.....	27
Figure 3-6: Digital I/O Connector Pin Definition .....	29
Figure 3-7: Digital Input Circuit.....	30
Figure 3-8: Digital Output Circuit.....	30
Figure 3-9: COM Port Pin Definition.....	32
Figure 3-10: Mainboard Connectors (Top).....	33
Figure 3-11: Mainboard Connectors (Rear) .....	34
Figure 3-12: USB 2.0 Connector Pin Definition.....	37
Figure 3-13: USB 3.2 Connector Pin Definition.....	38
Figure 3-14: PCIe Power Connector Pin Definition.....	39
Figure 3-15: SATAConnector Pin Definition.....	39
Figure 3-16: COM Connector Pin Definition.....	40
Figure 3-17: CPU/System Fan Connector Pin Definition .....	41
Figure 3-18: GPU Fan Connector Pin Definition .....	42
Figure 3-19: Audio Connector Pin Definition.....	43
Figure 3-20: Multiple I/O Connector Pin Definition.....	44
Figure 3-21: Power-on Module Connector Pin Definition.....	46
Figure 3-22: DIO Connector Pin Definition.....	47
Figure 3-23: 12V DC-in Connector Pin Definition .....	48
Figure 3-24: PCB Edge Connector Pin Definition .....	49
Figure 3-25: DB40 Connector Pin Definition.....	52

This page intentionally left blank.

# 1 Introduction

## 1.1 Overview

The DLAP-3000/3100-CF series is an optimized computing platform supporting performance-hungry workloads, such as deep learning, with expandability options and active cooling for applications requiring very high levels of computing in a limited space. The DLAP-3000/3100-CF series is one of the smallest embedded GPU platforms (3.2 liters) with a low TDP reliable MXM GPU design and scalable graphics processing ranging from Pascal to Turing GPUs.

## 1.2 Features

- ▶ ADLINK MXM Graphics module support (Type A/B, up to 120W)
- ▶ 8th/9th Gen Intel® Core™ i7/i5/i3, Celeron® processors
- ▶ Dual SODIMMs for up to 64GB DDR4 non-ECC memory (CPU dependent)
- ▶ 6x DisplayPort (2 from CPU, 4 from MXM)
- ▶ 1x M.2 E key supporting 1630 or 2230 for Wi-Fi/Bluetooth module
- ▶ 1x M.2 B key supporting 2242 or 2280 for SATA storage module
- ▶ 1x M.2 M key supporting 2242 or 2280 for SATA/PCIe x4 storage module (DLAP-3100 only)
- ▶ Reliable Molex type 12V DC-in connector
- ▶ 1x Intel® i219-LM and 5x Intel® i210-AT (DLAP-3100 only)
- ▶ 1x Intel® i219-LM and 3x Intel® i210-AT (DLAP-3000 only)

## 1.3 Packing List

Before unpacking, check the shipping carton for any damage. If the shipping carton and/or contents are damaged, inform your dealer immediately. Retain the shipping carton and packing materials for inspection. Obtain authorization from your dealer before returning any product to ADLINK. Ensure that the following items are included in the package.

- ▶ 1x DLAP-3000/3100-CF Embedded Computer
- ▶ Fasteners:
  - ▷ 3x M3 screws, P-head, L4, Ni for M.2  
(P/N: 33-03013-0040)
  - ▷ 8x M3 screws, F-head, L4, Nylok for 2.5" storage bay  
(P/N: 33-03103-1040)
  - ▷ 2x M3 screws, I-head, L4, Nylok for MXM  
(P/N: 33-03306-0040)



NOTE:

If the DLAP-3000/3100-CF does not have a pre-installed MXM P3000/P5000/RTX3000/RTX5000, the following additional installation items have been included.

- ▶ 4x M3 Screw, I-head, L5, Ni (PN: 33-03320-0050)
  - ▶ 4x Washer 5.3 x 10 x 1.0, SUS (PN:33-90086-0000-A0)
  - ▶ 4x Rubber footpad (PN:39-00039-0000)
-

## 1.4 Optional Accessories

- ▶ CPU cooler (P/N: 32-20495-0000)
- ▶ CPU cooler bracket (P/N: 32-50015-0100-A0)
- ▶ MXM cooler for P1000/P2000 (P/N: 32-20797-0200-A0)
- ▶ MXM cooler for P3000/P5000 (P/N: 32-20823-0020-A0)
- ▶ MXM cooler for T1000 (P/N: 32-20830-0200-A0)
- ▶ MXM cooler for RTX3000 (P/N: 32-20823-1100-A0)
- ▶ MXM cooler for RTX5000 (P/N: 32-20839-1000-A0)
- ▶ 12V/240W power adaptor (P/N: 31-62164-0010-A0)
- ▶ 500W power supply (12V/41.7A) (P/N: 91-95296-002E)
- ▶ Wall mount bracket set (P/N: 34-34546-0000-A0) (2 required)
- ▶ Wi-Fi Kit Intel® Wireless-AC 9260 non-vPRO (P/N: 91-95266-0020)

This page intentionally left blank.

## 2 Specifications

### 2.1 DLAP-3000-CF

Model	DLAP-3000-CFP1	DLAP-3000-CFP2	DLAP-3000-CFT1	DLAP-3000-CFT3	DLAP-3000-CFT5
	DLAP-3000-CFP12*				
MXM Support	EGX-MXM-P1000	EGX-MXM-P2000	EGX-MXM-T1000	EGX-MXM-RTX3000	EGX-MXM-RTX5000
Processor	<ul style="list-style-type: none"> <li>▶ Intel® Core™ i7-9700E, 2.6GHz, 12M Cache, 65W TDP, LGA1151, DDR4 2666MHz support (8C/8T)</li> <li>▶ Intel® Core™ i7-9700TE, 1.8GHz, 12M Cache, 35W TDP, LGA1151, DDR4 2666MHz support (8C/8T)</li> <li>▶ Intel® Core™ i5-9500E, 3.0GHz, 9M Cache, 65W TDP, LGA1151, DDR4 2666MHz support (6C/6T)</li> <li>▶ Intel® Core™ i5-9500TE, 2.2GHz, 9M Cache, 35W TDP, LGA1151, DDR4 2666MHz support (6C/6T)</li> <li>▶ Intel® Core™ i3-9100E, 3.1GHz, 6M Cache, 65W TDP, LGA1151, DDR4 2400MHz support (4C/4T)</li> <li>▶ Intel® Core™ i3-9100TE, 2.2GHz, 6M Cache, 35W TDP, LGA1151, DDR4 2400MHz support (4C/4T)</li> <li>▶ Intel® Core™ i7-8700, 3.2GHz, 12M Cache, 65W TDP, LGA1151, DDR4 2666MHz support (6C/12T)</li> <li>▶ Intel® Core™ i7-8700T, 2.4GHz 12M Cache, 35W TDP, LGA1151, DDR4 2666MHz support (6C/12T)</li> <li>▶ Intel® Core™ i5-8500, 3.0GHz, 9M Cache, 65W TDP, LGA1151, DDR4 2666MHz support (6C/6T)</li> <li>▶ Intel® Core™ i5-8500T, 2.1GHz, 9M Cache, 35W TDP, LGA1151, DDR4 2666MHz support (6C/6T)</li> <li>▶ Intel® Core™ i3-8100, 3.6GHz, 6M Cache, 65W TDP, LGA1151, DDR4 2400MHz support (4C/4T)</li> <li>▶ Intel® Celeron® G4900, 3.1GHz, 2M Cache, 54W TDP, LGA1151, DDR4 2400MHz support (2C/2T)</li> <li>▶ Intel® Celeron® G4900T, 2.9GHz, 2M Cache, 35W TDP, LGA1151, DDR4 2400MHz support (2C/2T)</li> </ul>				
Chipset	Intel® H310 Chipset				
Memory	Non-ECC DDR4 2666/2400MHz, 2x SODIMM, up to 64GB (CPU dependent)				

Model	DLAP-3000-CFP1	DLAP-3000-CFP2	DLAP-3000-CFT1	DLAP-3000-CFT3	DLAP-3000-CFT5
	DLAP-3000-CFP12*				
<b>I/O Interface</b>					
Display	6x DisplayPort (2 from CPU, 4 from MXM)				
Ethernet	1x GbE (Intel® i219-LM), 3x GbE (Intel® i210-AT)				
Serial Ports	1x RS-232/422/485, 1x RS-232				
USB	4x USB 3.2 Gen1 x1 ports, 4x USB 2.0 ports				
Audio	Default: w/o Audio Option 1: Mic-in, Line-out, Line-in Option 2: Mic-in, L/R speaker-out (6W + 6W) Option 3: Line-in, L/R speaker-out (6W + 6W)				
M.2	1x M.2 E key supporting 1630 or 2230 for Wi-Fi/BT module 1x M.2 B key supporting 2242 or 2280 for SATA storage module				
eSIM	Optional				
DI/O	Default: w/o DIO Option: 1x DI/DO with 4 in, 4 out Note: Optional DIO, Audio and TPM 2.0 must be chosen together				
TPM 2.0	Default: no TPM				
<b>Storage</b>					
SATA	2x 2.5" SATA 6Gb/s external drive bays 1x SATA 6Gb/s signal via M.2 B key connector				
<b>Physical</b>					
Dimensions	235 x 182 x 75mm (W x D x H, without foot pads)				
Mounting	Optional wall-mount bracket				
<b>Power Supply</b>					
DC Input	DC 12V input (Molex DC-in jack)				
AC Input	Optional: 240W (12V/20A) AC/DC adapter Optional: 500W (12V/41.7A) AC/DC power supply				



Model	DLAP-3000-CFP1	DLAP-3000-CFP2	DLAP-3000-CFT1	DLAP-3000-CFT3	DLAP-3000-CFT5
	DLAP-3000-CFP12*				
<b>Environmental</b>					
Operating Temperature	0°C to 50°C (W/MXM, W/SSD, excluding EGX-MXM-RTX5000) 0°C to 40°C (EGX-MXM-RTX5000)				
Storage Temperature	-20°C to 70°C				
Humidity	5% to 95%, non-condensing				
Vibration	Operating: 2Grms, 5-500Hz, 3 axes Package (non operating): 3.44Grms, 10-1000Hz, 3 axes (w/ MXM, w/SSD)				
Shock	Operating and Package (non operating): 30G, 11ms duration, half-sine (w/MXM, w/SSD)				
EMC	EN55032/35, EN61000-6-2/-4, CE, FCC Part 15B Class B (w/ 240W adaptor), Class A (w/ 500W PSU)				
Safety	UL/cUL and CB				

Model	DLAP-3000-CFP3	DLAP-3000-CFP5
	DLAP-3000-CFP35*	
MXM Support	EGX-MXM-P3000	EGX-MXM-P5000
Processor	<ul style="list-style-type: none"> <li>▶ Intel® Core™ i7-9700E, 2.6GHz, 12M Cache, 65W TDP, LGA1151, DDR4 2666MHz support (8C/8T)</li> <li>▶ Intel® Core™ i7-9700TE, 1.8GHz, 12M Cache, 35W TDP, LGA1151, DDR4 2666MHz support (8C/8T)</li> <li>▶ Intel® Core™ i5-9500E, 3.0GHz, 9M Cache, 65W TDP, LGA1151, DDR4 2666MHz support (6C/6T)</li> <li>▶ Intel® Core™ i5-9500TE, 2.2GHz, 9M Cache, 35W TDP, LGA1151, DDR4 2666MHz support (6C/6T)</li> <li>▶ Intel® Core™ i3-9100E, 3.1GHz, 6M Cache, 65W TDP, LGA1151, DDR4 2400MHz support (4C/4T)</li> <li>▶ Intel® Core™ i3-9100TE, 2.2GHz, 6M Cache, 35W TDP, LGA1151, DDR4 2400MHz support (4C/4T)</li> <li>▶ Intel® Core™ i7-8700, 3.2GHz, 12M Cache, 65W TDP, LGA1151, DDR4 2666MHz support (6C/12T)</li> <li>▶ Intel® Core™ i7-8700T, 2.4GHz 12M Cache, 35W TDP, LGA1151, DDR4 2666MHz support (6C/12T)</li> <li>▶ Intel® Core™ i5-8500, 3.0GHz, 9M Cache, 65W TDP, LGA1151, DDR4 2666MHz support (6C/6T)</li> <li>▶ Intel® Core™ i5-8500T, 2.1GHz, 9M Cache, 35W TDP, LGA1151, DDR4 2666MHz support (6C/6T)</li> <li>▶ Intel® Core™ i3-8100, 3.6GHz, 6M Cache, 65W TDP, LGA1151, DDR4 2400MHz support (4C/4T)</li> <li>▶ Intel® Celeron® G4900, 3.1GHz, 2M Cache, 54W TDP, LGA1151, DDR4 2400MHz support (2C/2T)</li> <li>▶ Intel® Celeron® G4900T, 2.9GHz, 2M Cache, 35W TDP, LGA1151, DDR4 2400MHz support (2C/2T)</li> </ul>	
Chipset	Intel® H310 Chipset	
Memory	Non-ECC DDR4 2666/2400MHz, 2x SODIMM, up to 64GB (CPU dependent)	

Model	DLAP-3000-CFP3	DLAP-3000-CFP5
	DLAP-3000-CFP35*	
<b>I/O Interface</b>		
Display	6x DisplayPort (2 from CPU, 4 from MXM)	
Ethernet	1x GbE (Intel® i219-LM), 3x GbE (Intel® i210-AT)	
Serial Ports	1x RS-232/422/485, 1x RS-232	
USB	4x USB 3.2 Gen1 x1 ports, 4x USB 2.0 ports	
Audio	Default: w/o Audio Option 1: Mic-in, Line-out, Line-in Option 2: Mic-in, L/R speaker-out (6W + 6W) Option 3: Line-in, L/R speaker-out (6W + 6W)	
M.2	1x M.2 E key supporting 1630 or 2230 for Wi-Fi/BT module 1x M.2 B key supporting 2242 or 2280 for SATA storage module	
eSIM	Optional	
DI/O	Default: w/o DIO Option: 1x DI/DO with 4 in, 4 out Note: Optional DIO, Audio and TPM 2.0 must be chosen together	
TPM 2.0	Default: no TPM	
<b>Storage</b>		
SATA	2x 2.5" SATA 6Gb/s external drive bays 1x SATA 6Gb/s signal via M.2 B key connector	
<b>Physical</b>		
Dimensions	235 x 182 x 75mm (W x D x H, without foot pads)	
Mounting	Optional wall-mount bracket	
<b>Power Supply</b>		
DC Input	DC 12V input (Molex DC-in jack)	
AC Input	Optional: 240W (12V/20A) AC/DC adapter Optional: 500W (12V/41.7A) AC/DC power supply	

Model	DLAP-3000-CFP3	DLAP-3000-CFP5
	DLAP-3000-CFP35*	
<b>Environmental</b>		
Operating Temperature	0°C to 50°C (w/MXM, w/SSD, excluding EGX-MXM-RTX5000) 0°C to 40°C (EGX-MXM-RTX5000)	
Storage Temperature	-20°C to 70°C	
Humidity	5% to 95%, non-condensing	
Vibration	Operating: 2Grms, 5-500Hz, 3 axes Package (non operating): 3.44Grms, 10-1000Hz, 3 axes (w/ MXM, w/SSD)	
Shock	Operating and Package (non operating): 30G, 11ms duration, half-sine (w/MXM, w/SSD)	
EMC	EN55032/35, EN61000-6-2/-4, CE, FCC Part 15B Class B (w/ 240W adaptor), Class A (w/ 500W PSU)	
Safety	UL/cUL and CB	



NOTE:

Models marked with “\*\*” do not include an MXM graphics module. Contact your local ADLINK sales representative for MXM module and related DLAP model longevity.

## 2.2 DLAP-3100-CF

Model	DLAP-3100-CFP1	DLAP-3100-CFP2	DLAP-3100-CFT1	DLAP-3100-CFT3	DLAP-3100-CFT5
	DLAP-3100-CFP12*				
MXM Support	EGX-MXM-P1000	EGX-MXM-P2000	EGX-MXM-T1000	EGX-MXM-RTX3000	EGX-MXM-RTX5000
Processor	<ul style="list-style-type: none"> <li>▶ Intel® Core™ i7-9700E, 2.6GHz, 12M Cache, 65W TDP, LGA1151, DDR4 2666MHz support (8C/8T)</li> <li>▶ Intel® Core™ i7-9700TE, 1.8GHz, 12M Cache, 35W TDP, LGA1151, DDR4 2666MHz support (8C/8T)</li> <li>▶ Intel® Core™ i5-9500E, 3.0GHz, 9M Cache, 65W TDP, LGA1151, DDR4 2666MHz support (6C/6T)</li> <li>▶ Intel® Core™ i5-9500TE, 2.2GHz, 9M Cache, 35W TDP, LGA1151, DDR4 2666MHz support (6C/6T)</li> <li>▶ Intel® Core™ i3-9100E, 3.1GHz, 6M Cache, 65W TDP, LGA1151, DDR4 2400MHz support (4C/4T)</li> <li>▶ Intel® Core™ i3-9100TE, 2.2GHz, 6M Cache, 35W TDP, LGA1151, DDR4 2400MHz support (4C/4T)</li> <li>▶ Intel® Core™ i7-8700, 3.2GHz, 12M Cache, 65W TDP, LGA1151, DDR4 2666MHz support (6C/12T)</li> <li>▶ Intel® Core™ i7-8700T, 2.4GHz 12M Cache, 35W TDP, LGA1151, DDR4 2666MHz support (6C/12T)</li> <li>▶ Intel® Core™ i5-8500, 3.0GHz, 9M Cache, 65W TDP, LGA1151, DDR4 2666MHz support (6C/6T)</li> <li>▶ Intel® Core™ i5-8500T, 2.1GHz, 9M Cache, 35W TDP, LGA1151, DDR4 2666MHz support (6C/6T)</li> <li>▶ Intel® Core™ i3-8100, 3.6GHz, 6M Cache, 65W TDP, LGA1151, DDR4 2400MHz support (4C/4T)</li> <li>▶ Intel® Celeron® G4900, 3.1GHz, 2M Cache, 54W TDP, LGA1151, DDR4 2400MHz support (2C/2T)</li> <li>▶ Intel® Celeron® G4900T, 2.9GHz, 2M Cache, 35W TDP, LGA1151, DDR4 2400MHz support (2C/2T)</li> </ul>				
Chipset	Intel® Q370 Chipset				
Memory	Non-ECC DDR4 2666/2400MHz, 2x SODIMM, up to 64GB (CPU dependent)				

Model	DLAP-3100-CFP1	DLAP-3100-CFP2	DLAP-3100-CFT1	DLAP-3100-CFT3	DLAP-3100-CFT5
	DLAP-3100-CFP12*				
<b>I/O Interface</b>					
Display	6x DisplayPort (2 from CPU, 4 from MXM)				
Ethernet	1x GbE (Intel® i219-LM), 5x GbE (Intel® i210-AT)				
Serial Ports	1x RS-232/422/485, 1x RS-232				
USB	6x USB 3.2 Gen1 x1 ports, 2x USB 2.0 ports				
Audio	Mic-in, L/R speaker-out (6W + 6W) (optional)				
M.2	1x M.2 E key supporting 1630 or 2230 for Wi-Fi/BT module 1x M.2 B key supporting 2242 or 2280 for SATA storage module 1x M.2 M key supporting 2242 or 2280 for SATA/PCIe x4 storage module				
eSIM	Optional				
DI/O	1x DI/DO with 4 in, 4 out				
TPM 2.0	Yes				
<b>Storage</b>					
SATA	2x 2.5" SATA 6Gb/s external drive bays 2x SATA 6Gb/s signals via M.2 M & B key connector Intel® RST RAID Support				
<b>Physical</b>					
Dimensions	235 x 182 x 75mm (W x D x H, without foot pads)				
Mounting	Optional wall-mount bracket				
<b>Power Supply</b>					
DC Input	DC 12V input (Molex DC-in jack)				
AC Input	Optional: 240W (12V/20A) AC/DC adapter Optional: 500W (12V/41.7A) AC/DC power supply				

Model	DLAP-3100-CFP1	DLAP-3100-CFP2	DLAP-3100-CFT1	DLAP-3100-CFT3	DLAP-3100-CFT5
	DLAP-3100-CFP12*				
<b>Environmental</b>					
Operating Temperature	0°C to 50°C (W/MXM, W/SSD, excluding EGX-MXM-RTX5000) 0°C to 40°C (EGX-MXM-RTX5000)				
Storage Temperature	-20°C to 70°C				
Humidity	5% to 95%, non-condensing				
Vibration	Operating: 2Grms, 5-500Hz, 3 axes Package (non operating): 3.44Grms, 10-1000Hz, 3 axes (w/ MXM, w/SSD)				
Shock	Operating and Package (non operating): 30G, 11ms duration, half-sine (w/MXM, w/SSD)				
EMC	EN55032/35, EN61000-6-2/-4, CE, FCC Part 15B Class B (w/ 240W adaptor), Class A (w/ 500W PSU)				
Safety	UL/cUL and CB				

Model	DLAP-3100-CFP3	DLAP-3100-CFP5
	DLAP-3100-CFP35*	
MXM Support	EGX-MXM-P3000	EGX-MXM-P5000
Processor	<ul style="list-style-type: none"> <li>▶ Intel® Core™ i7-9700E, 2.6GHz, 12M Cache, 65W TDP, LGA1151, DDR4 2666MHz support (8C/8T)</li> <li>▶ Intel® Core™ i7-9700TE, 1.8GHz, 12M Cache, 35W TDP, LGA1151, DDR4 2666MHz support (8C/8T)</li> <li>▶ Intel® Core™ i5-9500E, 3.0GHz, 9M Cache, 65W TDP, LGA1151, DDR4 2666MHz support (6C/6T)</li> <li>▶ Intel® Core™ i5-9500TE, 2.2GHz, 9M Cache, 35W TDP, LGA1151, DDR4 2666MHz support (6C/6T)</li> <li>▶ Intel® Core™ i3-9100E, 3.1GHz, 6M Cache, 65W TDP, LGA1151, DDR4 2400MHz support (4C/4T)</li> <li>▶ Intel® Core™ i3-9100TE, 2.2GHz, 6M Cache, 35W TDP, LGA1151, DDR4 2400MHz support (4C/4T)</li> <li>▶ Intel® Core™ i7-8700, 3.2GHz, 12M Cache, 65W TDP, LGA1151, DDR4 2666MHz support (6C/12T)</li> <li>▶ Intel® Core™ i7-8700T, 2.4GHz 12M Cache, 35W TDP, LGA1151, DDR4 2666MHz support (6C/12T)</li> <li>▶ Intel® Core™ i5-8500, 3.0GHz, 9M Cache, 65W TDP, LGA1151, DDR4 2666MHz support (6C/6T)</li> <li>▶ Intel® Core™ i5-8500T, 2.1GHz, 9M Cache, 35W TDP, LGA1151, DDR4 2666MHz support (6C/6T)</li> <li>▶ Intel® Core™ i3-8100, 3.6GHz, 6M Cache, 65W TDP, LGA1151, DDR4 2400MHz support (4C/4T)</li> <li>▶ Intel® Celeron® G4900, 3.1GHz, 2M Cache, 54W TDP, LGA1151, DDR4 2400MHz support (2C/2T)</li> <li>▶ Intel® Celeron® G4900T, 2.9GHz, 2M Cache, 35W TDP, LGA1151, DDR4 2400MHz support (2C/2T)</li> </ul>	
Chipset	Intel® Q370 Chipset	
Memory	Non-ECC DDR4 2666/2400MHz, 2x SODIMM, up to 64GB (CPU dependent)	



Model	DLAP-3100-CFP3	DLAP-3100-CFP5
	DLAP-3100-CFP3*	
<b>I/O Interface</b>		
Display	6x DisplayPort (2 from CPU, 4 from MXM)	
Ethernet	1x GbE (Intel® i219-LM), 5x GbE (Intel® i210-AT)	
Serial Ports	1x RS-232/422/485, 1x RS-232	
USB	6x USB 3.2 Gen1 x1 ports, 2x USB 2.0 ports	
Audio	Mic-in, L/R speaker-out (6W + 6W) (optional)	
M.2	1x M.2 E key supporting 1630 or 2230 for Wi-Fi/BT module 1x M.2 B key supporting 2242 or 2280 for SATA storage module 1x M.2 M key supporting 2242 or 2280 for SATA/PCIe x4 storage module	
eSIM	Optional	
DI/O	1x DI/DO with 4 in, 4 out	
TPM 2.0	Yes	
<b>Storage</b>		
SATA	2x 2.5" SATA 6Gb/s external drive bays 2x SATA 6Gb/s signals via M.2 M & B key connector Intel® RST RAID Support	
<b>Physical</b>		
Dimensions	235 x 182 x 75mm (W x D x H, without foot pads)	
Mounting	Optional wall-mount bracket	
<b>Power Supply</b>		
DC Input	DC 12V input (Molex DC-in jack)	
AC Input	Optional: 240W (12V/20A) AC/DC adapter Optional: 500W (12V/41.7A) AC/DC power supply	

Model	DLAP-3100-CFP3	DLAP-3100-CFP5
	DLAP-3100-CFP35*	
<b>Environmental</b>		
Operating Temperature	0°C to 50°C (W/MXM, W/SSD, excluding EGX-MXM-RTX5000) 0°C to 40°C (EGX-MXM-RTX5000)	
Storage Temperature	-20°C to 70°C	
Humidity	5% to 95%, non-condensing	
Vibration	Operating: 2Grms, 5-500Hz, 3 axes Package (non operating): 3.44Grms, 10-1000Hz, 3 axes (w/ MXM, w/SSD)	
Shock	Operating and Package (non operating): 30G, 11ms duration, half-sine (w/MXM, w/SSD)	
EMC	EN55032/35, EN61000-6-2/-4, CE, FCC Part 15B Class B (w/ 240W adaptor), Class A (w/ 500W PSU)	
Safety	UL/cUL and CB	



Models marked with “\*” do not include an MXM graphics module. Contact your local ADLINK sales representative for MXM module and related DLAP model longevity.

## 2.3 DLAP-3000/3100-CF Functional Block Diagrams

### 2.3.1 DLAP-3000-CF Functional Block Diagram

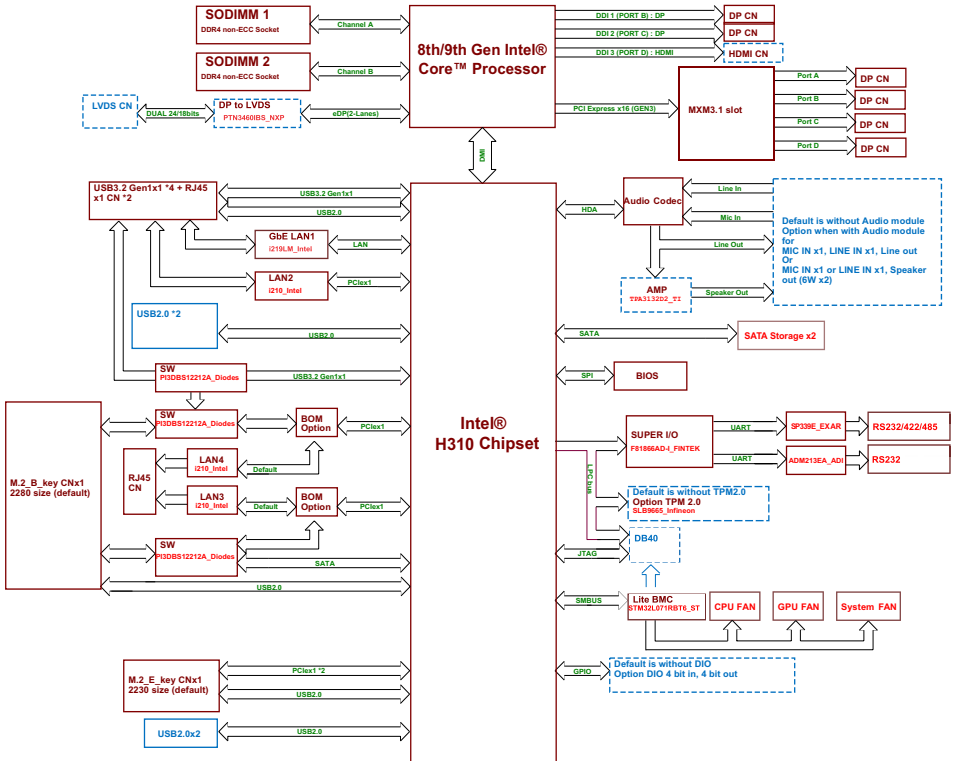


Figure 2-1: DLAP-3000-CF Functional Block Diagram

## 2.3.2 DLAP-3100-CF Functional Block Diagram

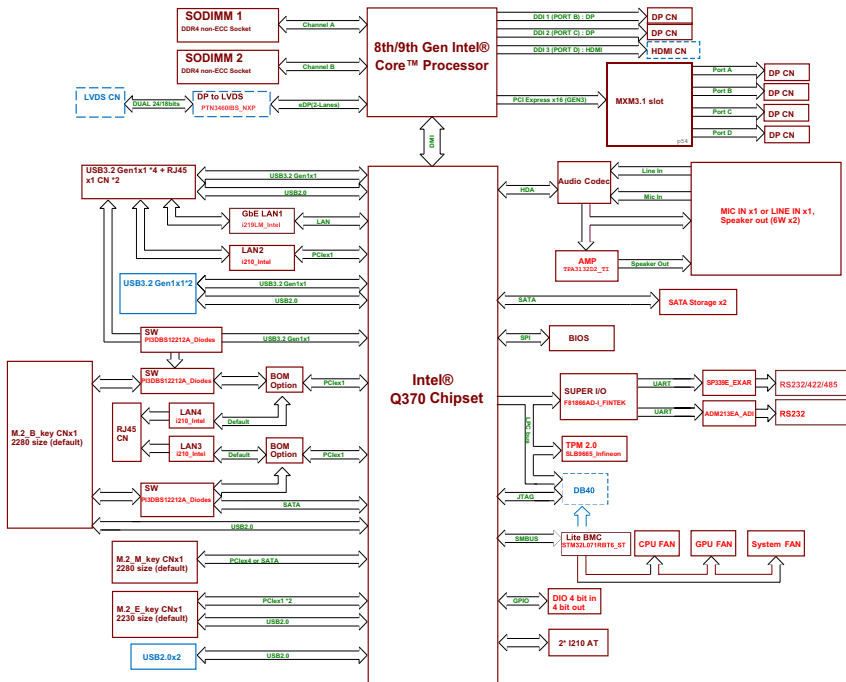


Figure 2-2: DLAP-3100-CF Functional Block Diagram

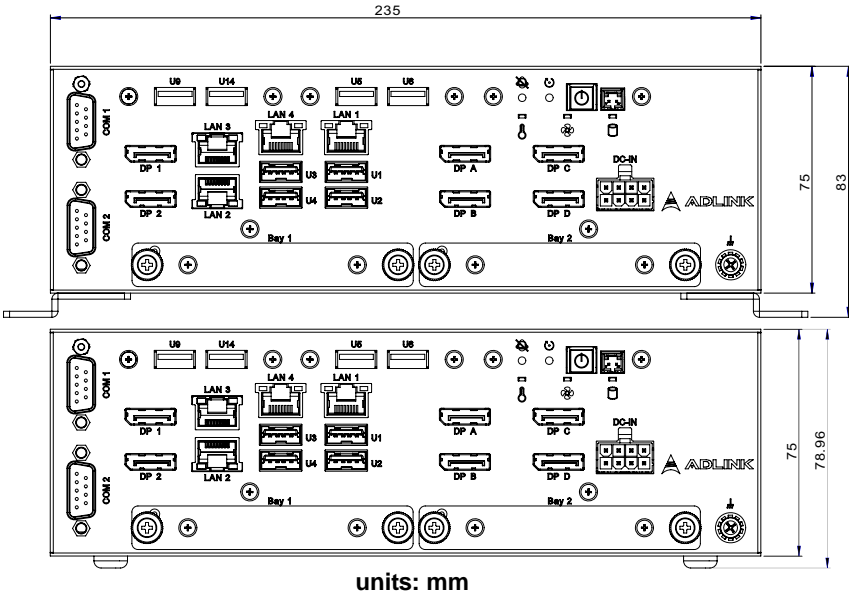
## 2.4 Display Options

The DLAP-3000/3100-CF includes six DisplayPort connectors, two DisplayPort signals from the CPU and four from MXM. All DisplayPorts support DP++. Use DisplayPort1 (DP 1) to connect a monitor when booting the system for the first time to properly access the display settings in the BIOS menu. Refer to Appendix D, DisplayPort BIOS Settings for more information.

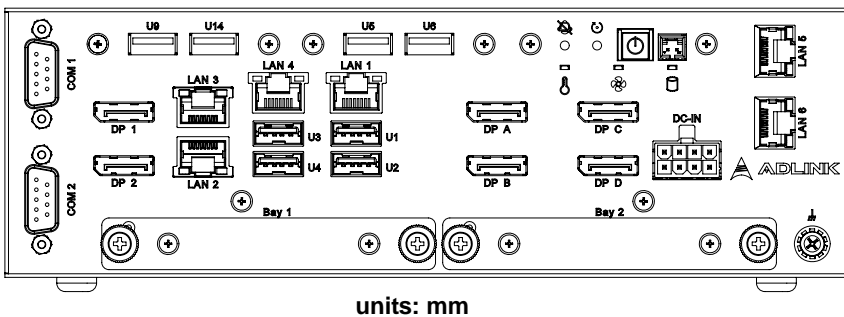
	Port	Resolution
<b>Display Port 1 from CPU</b>	DP 1	4096x2304@60Hz
<b>Display Port 2 from CPU</b>	DP 2	4096x2304@60Hz
<b>Display Port A from MXM</b>	DP A	Based on MXM module
<b>Display Port B from MXM</b>	DP B	Based on MXM module
<b>Display Port C from MXM</b>	DP C	Based on MXM module
<b>Display Port D from MXM</b>	DP D	Based on MXM module

**Table 2-1: Maximum Display Resolution**

## 2.5 Mechanical Dimensions



**Figure 2-3: DLAP-3000-CF Front View  
(including wall-mount brackets and footpads)**



**Figure 2-4: DLAP-3100-CF Front View  
(including footpads)**

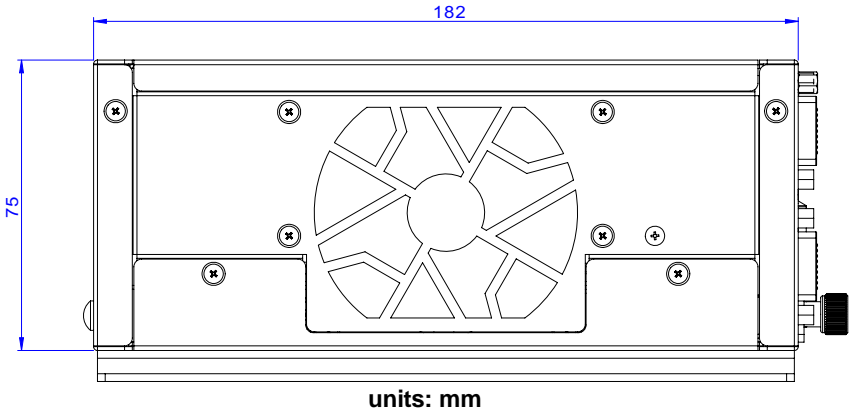


Figure 2-5: DLAP-3000/3100-CF Left Side View

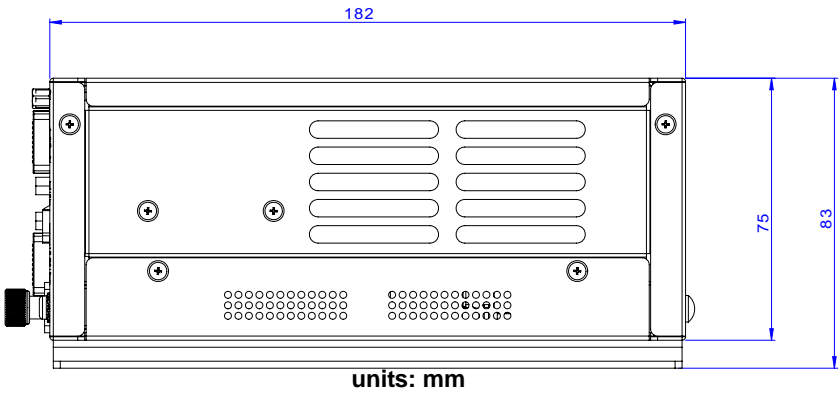
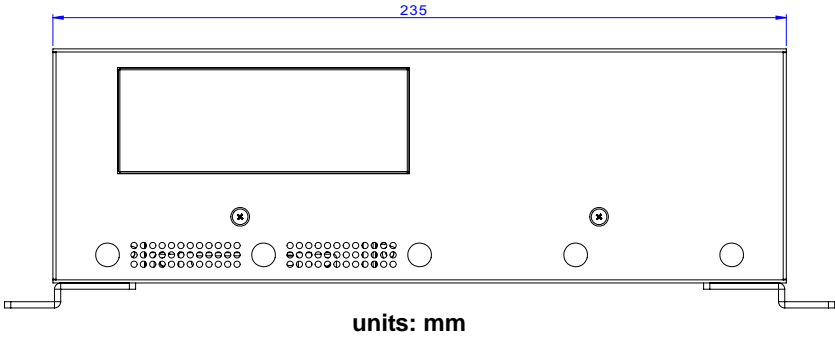
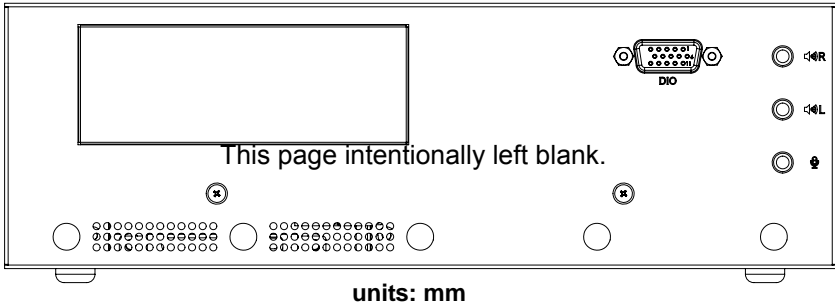


Figure 2-6: DLAP-3000/3100-CF Right Side View

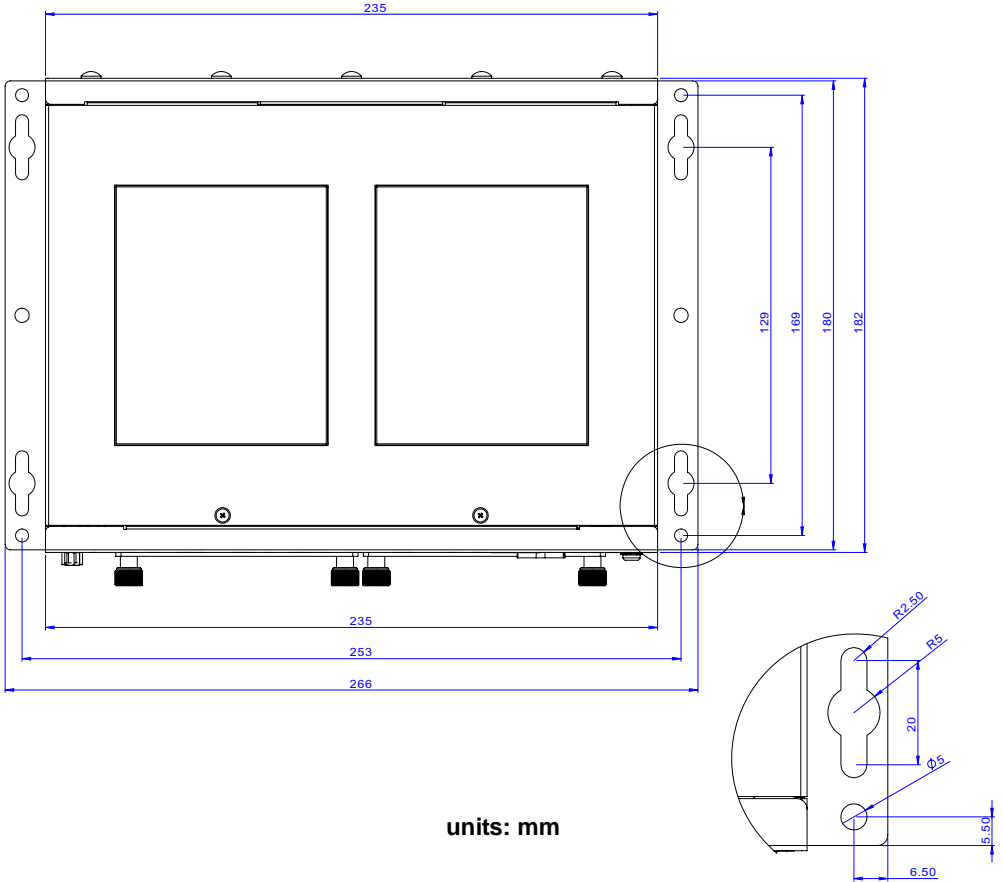


**Figure 2-7: DLAP-3000-CF Rear View**



**Figure 2-8: DLAP-3100-CF Rear View**





units: mm

**Figure 2-9: DLAP-3000/3100-CF Top View**



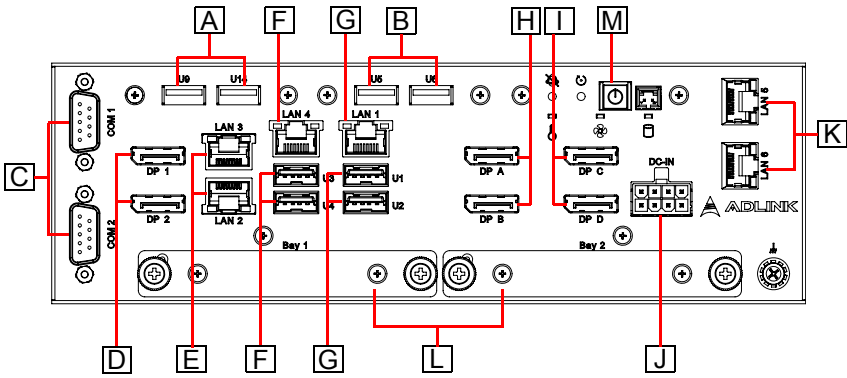
**WARNING:**

To prevent damage to the system, ensure there is a minimum 10 cm clearance around the air vents for unrestricted airflow. The air temperature inside the enclosure could rise above the specified operating temperature limits if the airflow through the vents is restricted.

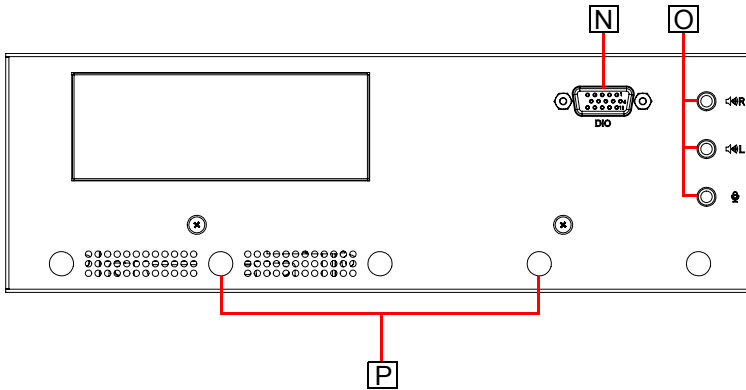
*AVERTISSEMENT: Pour éviter d'endommager le système, assurez-vous qu'il y a un dégagement minimum de 10 cm autour des bouches d'aération pour une circulation d'air sans restriction. La température de l'air à l'intérieur du boîtier peut dépasser les limites de température de fonctionnement spécifiées si le flux d'air à travers les événements est restreint.*

This page intentionally left blank.





**Figure 3-3: DLAP-3100-CF Front Panel I/O**



**Figure 3-4: DLAP-3100-CF Rear Panel I/O**

<b>A</b>	USB 2.0 Type-A x2 (U9, U14)	<b>I</b>	DisplayPort from MXM for DP C/DP D
<b>B</b>	USB 3.2 Gen1 x1 Type-A x2 for U5/U6 (DLAP-3100-CF), USB 2.0 (DLAP-3000-CF)	<b>J</b>	12V DC Power Input
<b>C</b>	RS-232 for COM1, RS-232/422/485 for COM2	<b>K</b>	i210-AT (LAN 5/LAN 6), (DLAP-3100-CF only)
<b>D</b>	DisplayPort x2 (DP 1/DP 2)	<b>L</b>	2x 2.5" hot swappable storage bay (Bay 1/Bay 2)
<b>E</b>	i210-AT (LAN 2/ LAN 3)	<b>M</b>	Power-on module. (See 3.1.1: Power-on Module )
<b>F</b>	i210-AT (LAN 4), USB 3.2 Gen1 x1 Type-A (U3/U4)	<b>N</b>	DIO (DLAP-3100-CF only)
<b>G</b>	i219-LM (LAN 1), USB 3.2 Gen1 x1 Type-A (U1/U2)	<b>O</b>	Speaker out Left and Right, Mic in (DLAP-3100-CF only)
<b>H</b>	DisplayPort from MXM for DP A/DP B	<b>P</b>	Reserved for Wi-Fi/BT antenna

Table 3-1: I/O Legend

### 3.1.1 Power-on Module

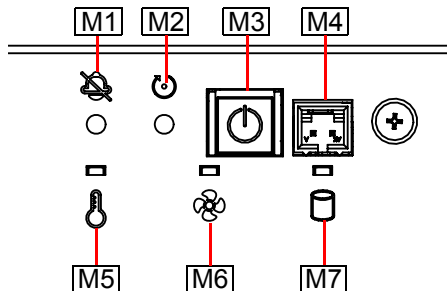


Figure 3-5: Power-on Module

<b>M1</b>	<b>Alarm Reset Button:</b> When the fan or GPU temperature alarm has been triggered, insert a small, thin object like a paper clip and press the reset button to turn off the alarm. This is to reset the alarm beeper only, not to reset the alarm LED.
<b>M2</b>	<b>Reset Switch:</b> Push to reset the system.
<b>M3</b>	<b>Power On Button:</b> Lights blue when the system is powered on, blinks when the system suspends to RAM, and is off when the system suspends to disk.
<b>M4</b>	<b>Remote Power On Button Connector (MPN: ALEX ALEX, 9553-02-PBT, BLACK):</b> Remote power on control. <b>Note:</b> Requires additional cable with an ALEX 9566-02G tin plated connector. The left pin is GND and the right pin is PRWBTN#, short enabled.
<b>M5</b>	<b>Temperature Alarm LED:</b> Blinks white when CPU or GPU overheats.
<b>M6</b>	<b>Fan Alarm LED:</b> Blinks amber when CPU, GPU, or system fan is <300 rpm.
<b>M7</b>	<b>Storage Status LED:</b> Blinks red when storage is accessed.

### 3.1.2 Audio Connectors (DLAP-3100-CF only)

The DLAP-3100-CF provides the following default audio connectors.

- ▶ 3.5 mm mono jack for left channel speaker out (6W)
- ▶ 3.5 mm mono jack for right channel speaker out (6W)
- ▶ Microphone in



NOTE:

The DLAP-3100-CF series audio connectors are (from top to bottom) speaker out L channel (6W), speaker out R channel (6W), and Mic in. The speaker out connector should be a 3.5mm mono jack plug. If a line out (headphone out) is needed instead of the speaker out (with amplifier 6W+6W), contact your local ADLINK sales representative.

The following audio configurations are also available.

- ▶ Mic-in, Line-out, Line-in
- ▶ Line-in, L/R speaker-out (6W + 6W)

### 3.1.3 Digital I/O Connector

The DLAP-3000/3100-CF provides 4 channels of non-isolation digital input and 4 channels of non-isolation digital output circuits, with specificacations and circuits as follows.

#### 4-channel Digital Input

- ▶ VIH: 1.5 to 5V
- ▶ VIL: 0 to 0.5V

#### 4-channel Digital Output

- ▶ Output type: Open drain N-channel
- ▶ MOSFET driver with internal pull high of 200Ω resistance.
- ▶ Source/Sink current for all channels: 22mA
- ▶ VOH: 4.956 to 5V
- ▶ VOL: 0 to 0.085V

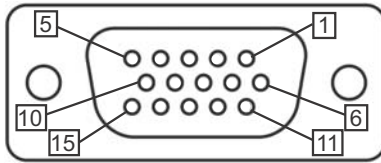


Figure 3-6: Digital I/O Connector Pin Definition

Pin	Signal	Pin	Signal	Pin	Signal
1	DI0	6	VCC (5V standby is always on except when in ACPI S5 )	11	DO0
2	DI1	7	NC	12	DO1
3	DI2	8	NC	13	DO2
4	DI3	9	NC	14	DO3
5	GND	10	GND	15	NC

Table 3-2: Digital Input/Output Connector Pin Definition

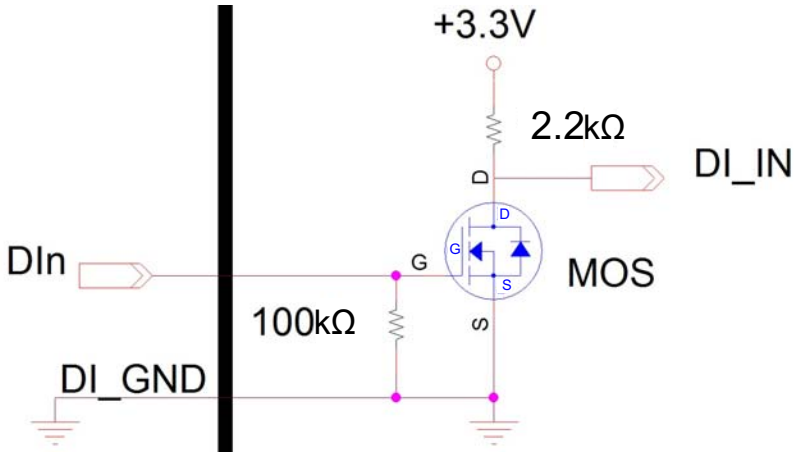


Figure 3-7: Digital Input Circuit

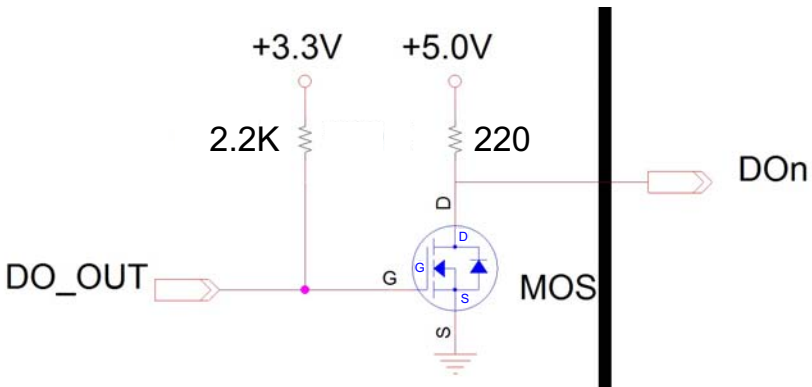


Figure 3-8: Digital Output Circuit



### 3.1.4 Gigabit Ethernet Ports

LED Color	Status	Description
Orange	Off	Ethernet port is disconnected.
	On	Ethernet port is connected with no activity.
	Flashing	Ethernet port is connected and active.

**Table 3-3: Active/Link LED Indicators**

LED Color	Status	Description
Green/Orange	Off	10 Mbps
	Green	100 Mbps
	Orange	1000 Mbps

**Table 3-4: Speed LED Indicators**

### 3.1.5 COM Port Connectors

The DLAP-3000/3100-CF provides two COM ports through D-sub 9-pin connectors. The COM2 port support RS-232/422/485 modes by BIOS setting, while COM1 supports only RS-232.

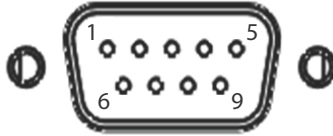


Figure 3-9: COM Port Pin Definition

Pin	Signal Name		
	RS-232	RS-422	RS-485
1	DCD#	TXD422-	485DATA-
2	RXD	TXD422+	485DATA+
3	TXD	RXD422+	N/S
4	DTR#	RXD422-	N/S
5	GND	N/S	N/S
6	DSR#	N/S	N/S
7	RTS#	N/S	N/S
8	CTS#	N/S	N/S
9	RI#	N/S	N/S

Table 3-5: D-Sub 9-pin Signal Function of COM Ports

## 3.2 Internal I/O Connectors



Installation of add-on devices must be carried out by ADLINK service personnel only. Users must not disassemble the device themselves.

### 3.2.1 Mainboard Connector Locations

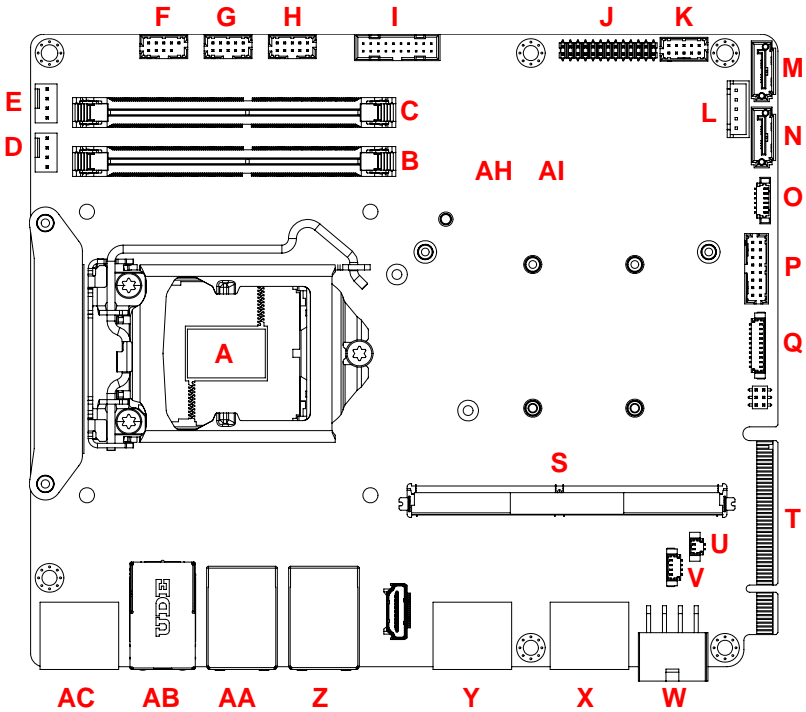
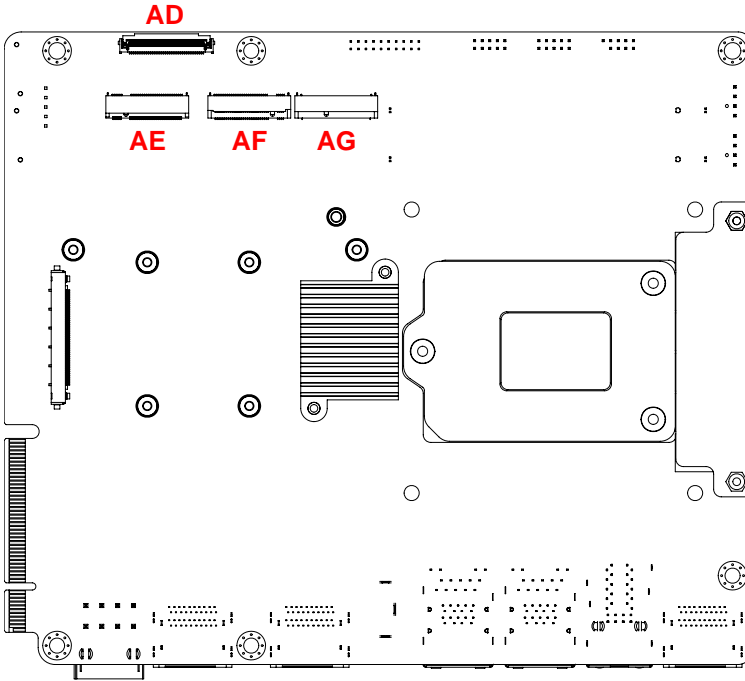


Figure 3-10: Mainboard Connectors (Top)



**Figure 3-11: Mainboard Connectors (Rear)**

<b>A</b>	CPU socket
<b>B</b>	DRAM socket for DIMM1
<b>C</b>	DRAM socket for DIMM2
<b>D</b>	CPU Fan connector
<b>E</b>	System Fan connector
<b>F</b>	2x USB 2.0 Gen1 x1 pin header for U9/U14
<b>G</b>	RS-232 pin header for COM1
<b>H</b>	RS-232/422/485 pin header for COM2
<b>I</b>	2x USB 3.2 Gen1 x1 pin header for U5/U6 (DLAP-3100-CF) or 2x USB 2.0 pin header for U5/U6 (DLAP-3000-CF)
<b>J</b>	Multi I/O connector
<b>K</b>	Audio pin header

<b>L</b>	PCIe power connector
<b>M</b>	SATA connector
<b>N</b>	SATA connector
<b>O</b>	SATA power connector
<b>P</b>	Power-on module connector
<b>Q</b>	DIO connector
<b>S</b>	MXM connector
<b>T</b>	PCB edge connector
<b>U</b>	RTC battery connector
<b>V</b>	GPU fan connector
<b>W</b>	12V DC in connector
<b>X</b>	DisplayPort C and D from MXM
<b>Y</b>	DisplayPort A and B from MXM
<b>Z</b>	LAN 1 and USB 3.2 Gen 1 x1 ports 1 and 2
<b>AA</b>	LAN 4 and USB 3.2 Gen 1 x1 ports 3 and 4
<b>AB</b>	LAN 2 and LAN 3
<b>AC</b>	DisplayPort 1 and 2 from CPU
<b>AD</b>	DB40 connector
<b>AE</b>	M.2_B Key connector
<b>AF</b>	M.2_M Key connector (DLAP-3100-CF)
<b>AG</b>	M.2_E Key connector
<b>AH</b>	Blue LED2_BMC status
<b>AI</b>	RED LED3_BMC watchdog

**Table 3-6: Mainboard Connector Legend**

## 3.2.2 BMC Status LED and WDT LED

### 3.2.2.1 Status LED (Blue)

The Status LED is controlled by SEMA to signal system state changes and power up failures. The system state changes can be HW-Reset, SW-Reset, Power-Up, Power-Down, Reset-Button and Power-Button activity. The Status LED will light for short time. Power-Up failures can indicate a corrupted BIOS or failure of the onboard power supply. A blink code displays in cases of failure.

When the system is in an S3 state, the Status LED flashes every four seconds.

LED Blink Code	Status
0	NOERROR
2	NO_SUSCLK
3	NO_SLP_S5
4	NO_RSMRST
5	NO_SLP_S3
7	PLTRST_FAIL
8	NO_SYS_PWRGD
10	CRITICAL_TEMP
11	NO_VIN
12	NO_VRTC

### 3.2.2.2 WDT LED (Red)

The WDT LED is driven by SEMA and will light when a watchdog timeout occurs. It stays on until it is cleared by software or the reset button.

### 3.2.3 USB 2.0 Connector

One USB 2.0 pin header is provided on the mainboard for an internal USB dongle.

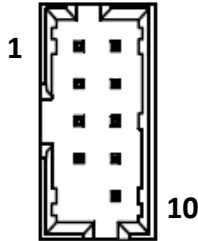


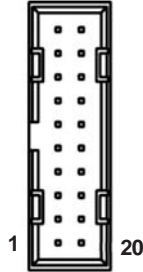
Figure 3-12: USB 2.0 Connector Pin Definition

Pin	Signal	Pin	Signal
1	P5V_USB1	6	CN_U2_USB14_P
2	P5V_USB1	7	GND
3	CN_U2_USB9_N	8	GND
4	CN_U2_USB14_N	9	NC
5	CN_U2_USB9_P	10	GND

Table 3-7: USB 2.0 Connector Pin Definition

### 3.2.4 USB 3.2 Connector

One USB 3.2 Gen1 x1pin header is provided on the mainboard for an internal USB dongle.



**Figure 3-13: USB 3.2 Connector Pin Definition**

Pin	Signal	Pin	Signal
1	NC	11	P5V_USB56
2	CN_U3_USB6_T_P	12	CN_U2_USB5_N
3	CN_U3_USB6_T_N	13	CN_U2_USB5_P
4	GND	14	GND
5	CN_U3_USB6_R_P	15	CN_U3_USB5_R_N
6	CN_U3_USB6_R_N	16	CN_U3_USB5_R_P
7	GND	17	GND
8	CN_U2_USB6_P	18	CN_U3_USB5_T_N
9	CN_U2_USB6_N	19	CN_U3_USB5_T_P
10	P5V_USB56	20	NC

**Table 3-8: USB 3.2 Connector Pin Definition**



### 3.2.5 PCIe Power Connector



Figure 3-14: PCIe Power Connector Pin Definition

Pin	Signal
1	P_+12V_S
2	P_+12V_S
3	P_+5V0_S
4	P_+5V0_S
5	GND

Table 3-9: PCIe Power Connector Pin Definition

### 3.2.6 SATA Power Connector



Figure 3-15: SATA Connector Pin Definition

Pin	Signal
1	P_+5V0_S
2	P_+5V0_S
3	P_+5V0_S
4	GND
5	GND
6	GND

Table 3-10: SATA Connector Pin Definition

### 3.2.7 COM Connector

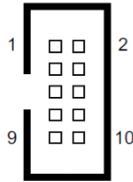


Figure 3-16: COM Connector Pin Definition

Pin	Signal Name		
	RS-232	RS-422	RS-485
1	DCD#	Tx-	Tx/Rx-
2	DSR#	Tx+	Tx/Rx+
3	RxD	Rx+	N/A
4	RTS#	Rx-	N/A
5	TxD	N/A	N/A
6	CTS#	N/A	N/A
7	DTR#	N/A	N/A
8	RI#	N/A	N/A
9	GND	GND	GND

Table 3-11: COM Connector Pin Definition

### 3.2.8 CPU/System Fan Connectors

Two connectors are provided for CPU and system fan power.

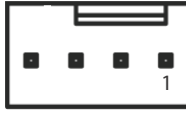
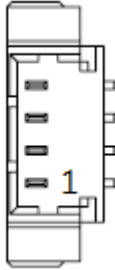


Figure 3-17: CPU/System Fan Connector Pin Definition

Pin	Signal
1	FAN_GND
2	P_+12V_FAN
3	FAN_IN
4	FAN_OUT

Table 3-12: CPU/System Fan Connector Pin Definition

### 3.2.9 GPU Fan Connector

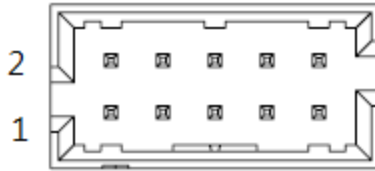


**Figure 3-18: GPU Fan Connector Pin Definition**

Pin	Signal
1	FAN_OUT
2	FAN_IN
3	P_+12V_FAN
4	FAN_GND

**Table 3-13: GPU Fan Connector Pin Definition**

### 3.2.10 Audio Connector



**Figure 3-19: Audio Connector Pin Definition**

Pin	Signal	Pin	Signal
1	AUDIO_Sense	6	GND_AUD
2	SPK_RP	7	A_MIC_IN_L
3	A_L_IN_L	8	SPK_LP
4	SPK_RN	9	A_MIC_IN_R
5	A_L_IN_R	10	SPK_LN

**Table 3-14: Audio Connector Pin Definition**

### 3.2.11 Multiple I/O Connector

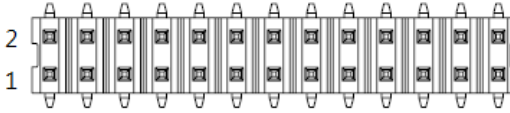


Figure 3-20: Multiple I/O Connector Pin Definition

#### 3.2.11.1 COM1 RS-232/CCtalk Selection Jumper

RS-232/CCtalk	
1-3	RS-232 (default)
2-4	
7-9	
8-10	
3-5	CCtalk
4-6	
9-11	
10-12	

Table 3-15: COM1 RS-232/CCtalk Selection Jumper

#### 3.2.11.2 Case Open Jumper

Case open	
13-14	Function ON
N/A	Undo (default)

Table 3-16: Case Open Jumper

#### 3.2.11.3 ME Lock Jumper

ME Lock	
15-16	Lock
N/A	Undo (default)

Table 3-17: ME Lock Jumper

### 3.2.11.4 Clear CMOS Jumper

Clear CMOS	
17-18	Clear CMOS
N/A	Undo (default)

**Table 3-18: Clear CMOS Jumper**

### 3.2.11.5 BIOS WP Jumper

BIOS WP	
17-18	BIOS WP
N/A	Undo (default)

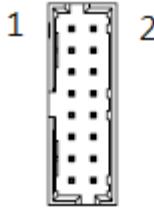
**Table 3-19: BIOS WP Jumper**



NOTE:

- ▶ S3 and S4 not supported under operating system.
  - ▶ IAMT is not supported while pairing with Q370.
  - ▶ BIOS ME version information is shown as “zero”.
  - ▶ Do not install an operating system when BIOS WP is enabled.
  - ▶ Intel GbE LAN cannot update the MAC address.
  - ▶ A special PN/process is needed if the default setting is Write Protect Enabled.
-

### 3.2.12 Power-on Module Connector



**Figure 3-21: Power-on Module Connector Pin Definition**

Pin	Signal	Pin	Signal
1	P_+5V0_A	9	LED_TEMP_ALARM
2	P_+3V3_A	10	GND
3	PWR_BTN	11	LED_FAN_ALARM
4	LED_STANDBY	12	GND
5	RST_BTN#	13	P_+12V_A
6	POWER_ON	14	GND
7	RESET_BUTTON_ALARM#	15	BEEP_TEMP_ALARM
8	PCH_SATS-L	16	GND

**Table 3-20: Power-on Module Connector Pin Definition**



### 3.2.13 DIO Connector



Figure 3-22: DIO Connector Pin Definition

Pin	Signal
1	5V_12V_S
2	GND
3	DI0
4	DI1
5	DI2
6	DI3
7	DO0
8	DO1
9	DO2
10	DO3

Table 3-21: DIO Connector Pin Definition

### 3.2.14 12V DC-in Connector



**Figure 3-23: 12V DC-in Connector Pin Definition**

Pin	Signal	Pin	Signal
1	GND	2	DCIN
3	GND	4	DCIN
5	GND	6	DCIN
7	GND	8	DCIN

**Table 3-22: 12V DC-in Connector Pin Definition**



*Before providing DC power, ensure the voltage and polarity provided are compatible with the DC input. Improper input voltage and/or polarity can be responsible for system damage.*  
*AVERTISSEMENT: Avant de fournir une alimentation CC, assurez-vous que la tension et la polarité fournies sont compatibles avec l'entrée CC. Une tension d'entrée et / ou une polarité incorrectes peuvent être responsables de dommages au système.*

### 3.2.15 PCB Edge Connector



**Figure 3-24: PCB Edge Connector Pin Definition**

Pin	Signal
A1 (Pin 1 on bottom)	GND
A2	P_+12V_S
A3	P_+12V_S
A4	GND
A5	JTAGE_CLK(NC)
A6	JTAGE_DI(NC)
A7	JTAGE_DO(NC)
A8	JTAGE_MS(NC)
A9	P_+3V3_S
A10	P_+3V3_S
A11	PCH_PLTRST-L_BUF
A12	GND
A13	CLKOUT_PCIE_P7
A14	CLKOUT_PCIE_N7
A15	GND
A16	GF_PCIEX21_RX_P
A17	GF_PCIEX21_RX_N
A18	GND
A19	NC
A20	GND
A21	GF_PCIEX22_RX_P

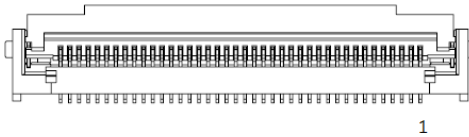
Pin	Signal
A22	GF_PCIEX22_RX_N
A23	GND
A24	GND
A25	GF_PCIEX23_RX_P
A26	GF_PCIEX23_RX_N
A27	GND
A28	GND
A29	GF_PCIEX24_RX_P
A30	GF_PCIEX24_RX_N
A31	GND
A32	NC
A33	NC
A34	GND
A35	GF_PCIEX1_RX_P
A36	GF_PCIEX1_RX_N
A37	GND
A38	GND
A39	GF_PCIEX2_RX_P
A40	GF_PCIEX2_RX_N
A41	GND
A42	GND
A43	GF_PCIEX3_RX_P
A44	GF_PCIEX3_RX_N
A45	GND
A46	GND
A47	GF_PCIEX4_RX_P
A48	GF_PCIEX4_RX_N
A49	GND
B1 (Pin 1 on top)	P_+12V_S
B2	P_+12V_S
B3	P_+12V_S
B4	GND
B5	PCH_SMB_CLK_A

Pin	Signal
B6	PCH_SMB_DAT_A
B7	GND
B8	P_+3V3_S
B9	JTAGE_RST(NC)
B10	P_+3V3_S
B11	X_PCIE_WAKE-L
B12	NC
B13	GND
B14	GF_PCIEX5_21_TX_P
B15	GF_PCIEX5_21_TX_N
B16	GND
B17	PCH_CLK_REQ7-L
B18	GND
B19	GF_PCIEX22_TX_P
B20	GF_PCIEX22_TX_N
B21	GND
B22	GND
B23	GF_PCIEX23_TX_P
B24	GF_PCIEX23_TX_N
B25	GND
B26	GND
B27	GF_PCIEX24_TX_P
B28	GF_PCIEX24_TX_N
B29	GND
B30	NC
B31	PCH_CLK_REQ7-L
B32	GND
B33	GF_PCIEX1_TX_P
B34	GF_PCIEX1_TX_N
B35	GND
B36	GND
B37	GF_PCIEX2_TX_P
B38	GF_PCIEX2_TX_N

Pin	Signal
B39	GND
B40	GND
B41	GF_PCIEX3_TX_P
B42	GF_PCIEX3_TX_N
B43	GND
B44	GND
B45	GF_PCIEX4_TX_P
B46	GF_PCIEX4_TX_N
B47	GND
B48	PCH_CLK_REQ7-L
B49	GND

**Table 3-23: PCB Edge Connector Pin Definition**

### 3.2.16 DB40 Connector



**Figure 3-25: DB40 Connector Pin Definition**

Pin	Signal
1	VCC_SPI_IN
2	GND
3	SPI_BIOS_CS0#
4	SPI_BIOS_CS1#
5	SPI_BIOS_MISO
6	SPI_BIOS_MOSI
7	SPI_BIOS_CLK
8	3V3_LPC
9	GND
10	BIOS_DIS0

Pin	Signal
11	RST#
12	CLK33_LPC
13	LPC_FRAME#
14	LPC_AD3
15	LPC_AD2
16	LPC_AD1
17	LPC_AD0
18	3.3V_SMC
19	3.3V_A
20	GND
21	TXD6
22	RXD6
23	FUMD0
24	RESET_IN#
25	DATA
26	CLK
27	OCD0A
28	OCD0B
29	PWRBTN#
30	SYS_RESET#
31	CB_RESET#
32	CB_PWROK
33	SUS_S3#
34	SUS_S4#
35	SUS_S5#
36	POSTWDT_DIS#
37	SEL_BIOS
38	BIOS_MODE
39	SMC_STATUS
40	RESVD

**Table 3-24: DB40 Connector Pin Definition**

This page intentionally left blank.



## 4 Getting Started

This chapter outlines the procedures for 2.5" storage, M.2 module, MXM module, wall-mount brackets, and driver installation.



Installation of an add-on device must be carried out by ADLINK service personnel only. Users must not disassemble the device themselves.

*Avertissement! L'installation d'une carte d'extension PCIe doit être effectuée uniquement par le personnel de service ADLINK. Les utilisateurs ne doivent pas démonter l'appareil eux-mêmes*

---



Disconnect the unit from power before opening the chassis, or installing any internal components. See “Important Safety Instructions” on page 131.

*ATTENTION: Débranchez l'unité de l'alimentation avant d'ouvrir le châssis ou d'installer des composants internes.*

---

## 4.1 Installing 2.5" Storage

Before installing a disk drive, the drive bracket must be removed.

1. Remove the thumbscrews and take out the 2.5" drive bay.



2. Place a 2.5" SSD up to 9mm thick into the bracket and use the 4 provided M3 screws at 4kgf/cm torque to attach the drive to the bracket.



3. Gently slide the bracket back into the drive bay until the SATA connector on the PCB is engaged, and then refasten the thumbscrews.

## 4.2 Installing an M.2 Module

Remove the bottom panel before installing an M.2 Module.

1. Remove 8 screws total to release the bottom panel from the chassis, 4 on the bottom, and 2 each on the left and right sides.

### Bottom screws



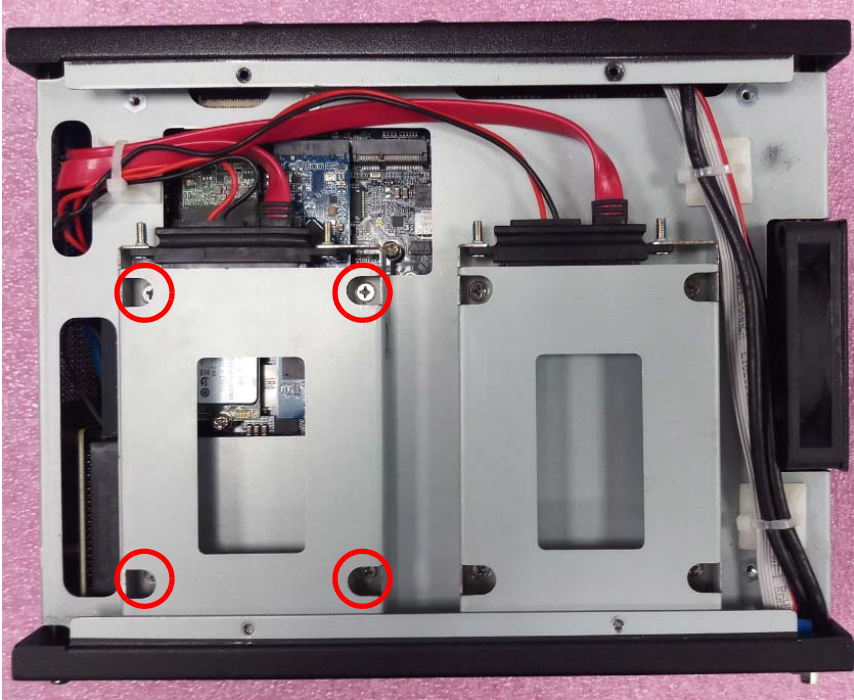
### Left side screws



### Right side screws



2. Open the chassis to expose the contents and then remove the 4 screws attaching the left drive bay to the chassis.

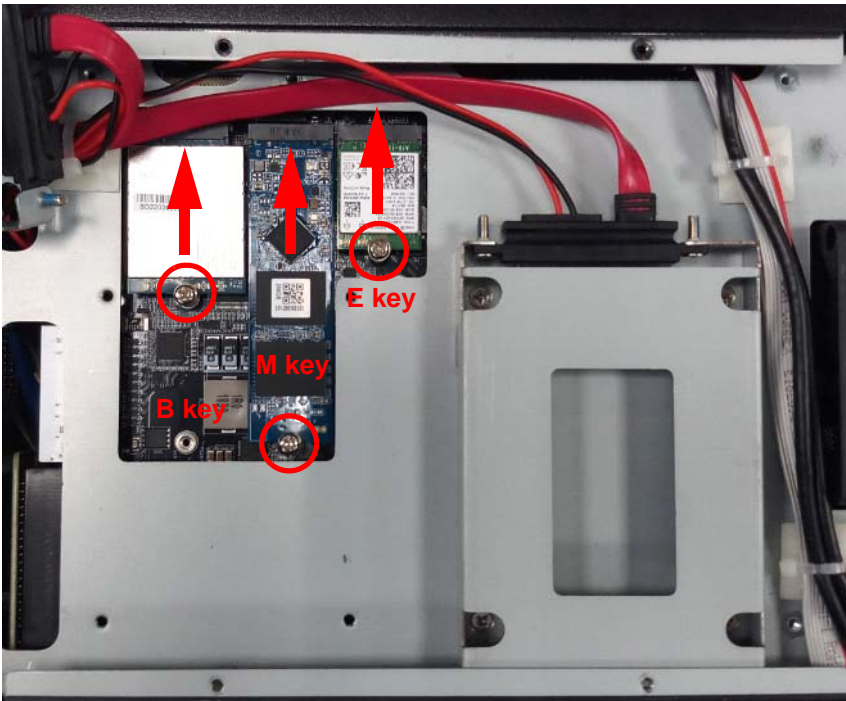


3. Move the drive bay to reveal the M.2 socket underneath and install an M.2 module with an M3 screw at 4kgf/cm torque. P/N: 33-03013-0040.



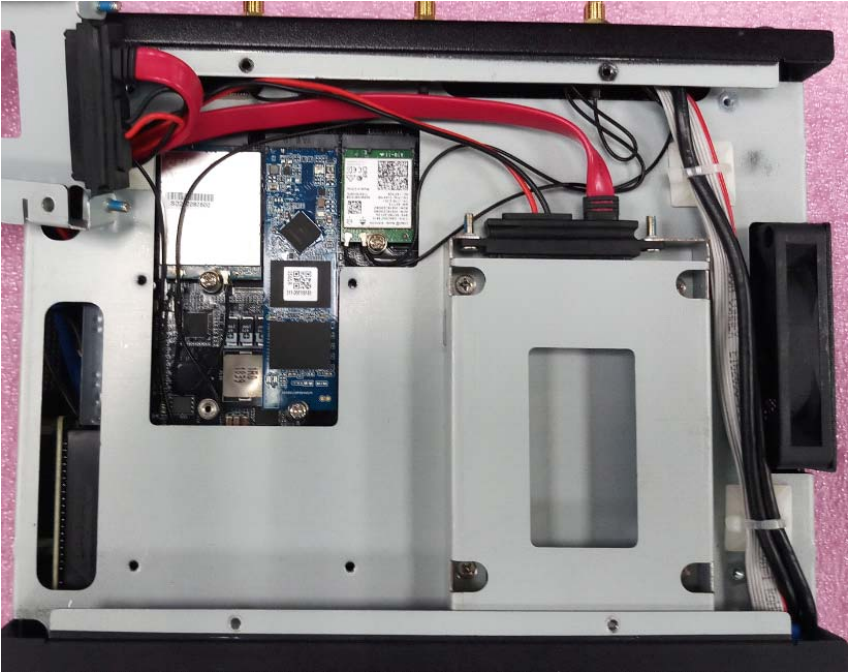
The following figure shows B, E, and M-key modules installed.

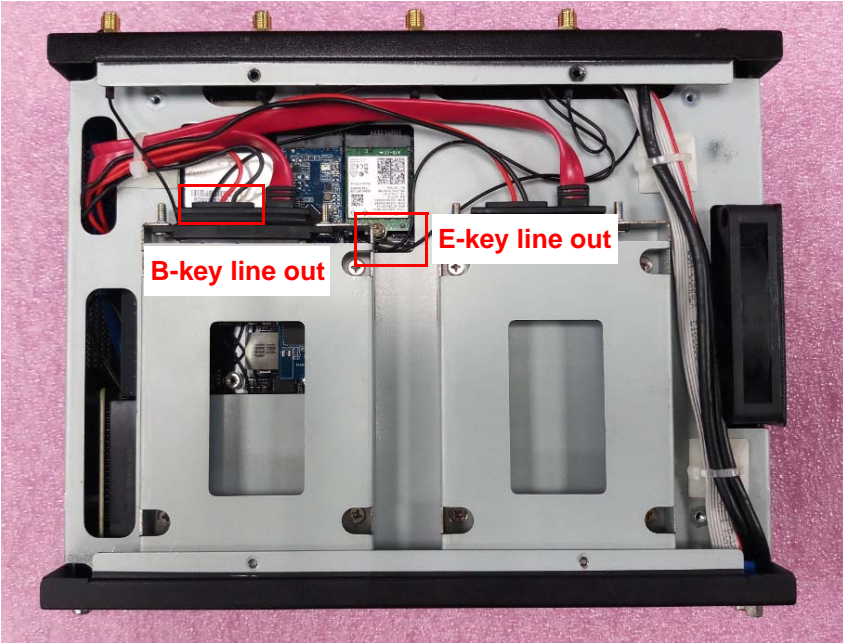
- ▷ M.2 B-key module example: 4G Module EM06-A Kit (M.2 B Key) with Antenna (P/N: 91-95284-000E). 4G module must be used with a DLAP-3200-CF with the eSIM option. Contact your local ADLINK sales representative for more information.
- ▷ M.2 E-key module: Wi-Fi Kit Intel® Wireless-AC 9260 non-vPRO (P/N: 91-95266-0020)
- ▷ M.2 M-key module example: M.2 PCIe Gen3 x4 SSD 128G PS5012-E12 M.2 2280 (P/N: 95-31102-4310)





4. The antenna cables of the M.2 B-key and E-key modules are installed as shown in the figures below. For improved cable management, route the M.2 B-key cables under the drive bay support plate before making the antenna connections.

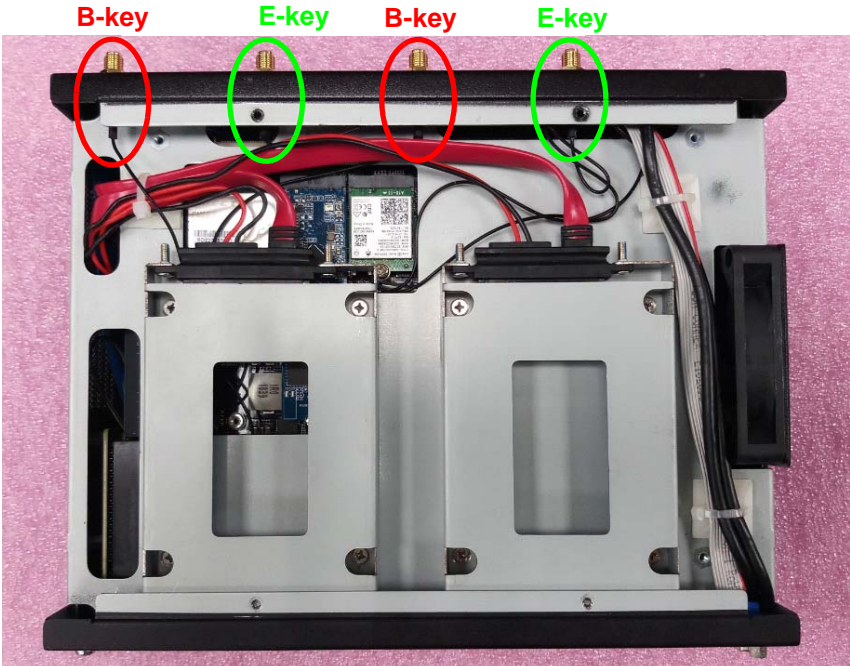




Make sure the antenna wires are properly soldered to the M.2 B-key and E-key modules.



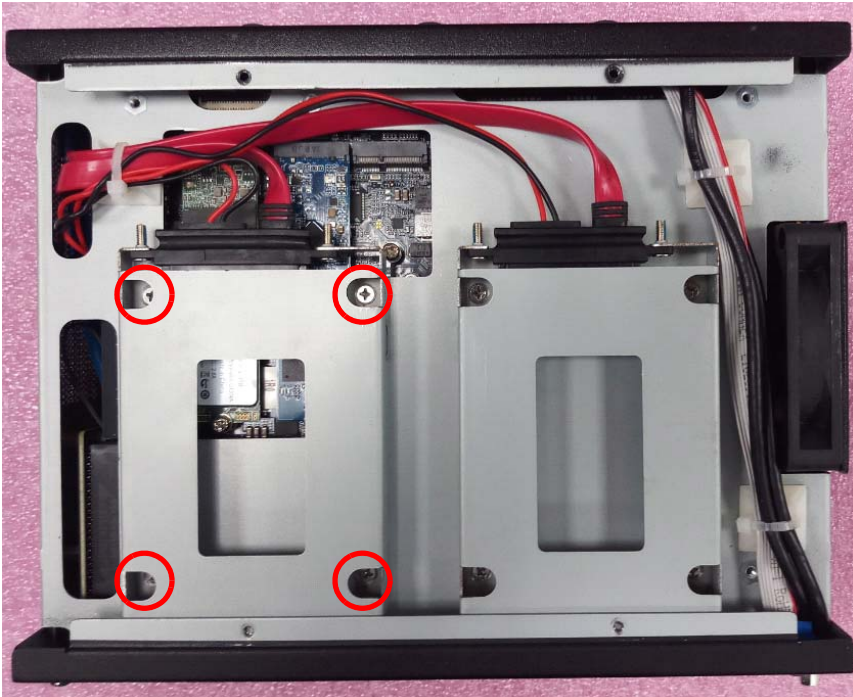
5. The figure below shows the locations of the M.2 B-key and E-key module antenna cable connections.



6. Attach the antenna cable connectors and the drive bay screws at 6kgf/cm torque.



7. Reattach the drive bay, and then screw the bottom panel back on at 6kgf/cm torque to complete the installation.



8. Install and lock the antennas as shown.



**B-key**

**E-key**

**B-key**

**E-key**



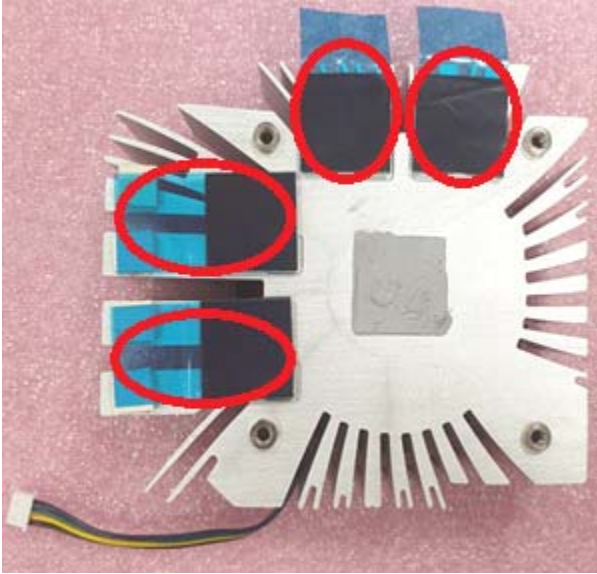
**B-key**



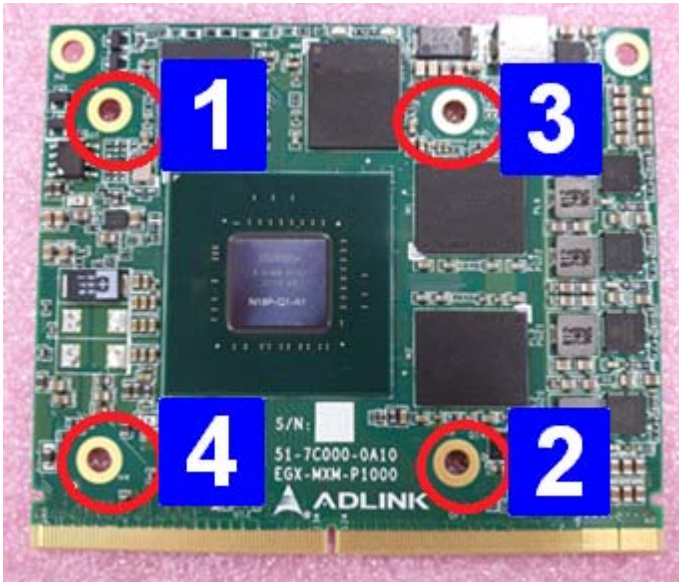
**E-key**

## 4.3 Installing MXM P1000/P2000/T1000 Module

1. Remove the protective film from the MXM cooler.



2. Attach the MXM cooler to the MXM module. Tighten the screws in the order indicated at 4kgf/cm torque.



3. Remove 2 screws to detach the top panel from the chassis. Remove the top panel to reveal the internal components of the system.





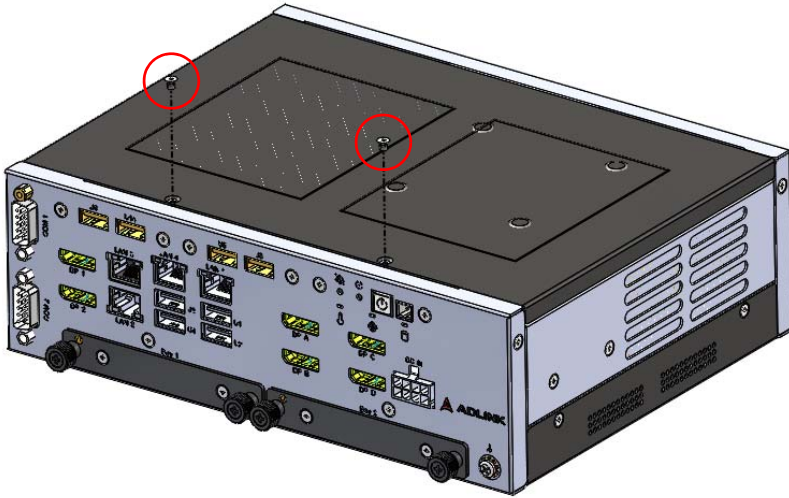
4. Attach the MXM module with 2 M3 screws P/N: 33-03306-0040 at 4kgf/cm torque and plug the MXM cooling fan connector into the GPU fan connector.



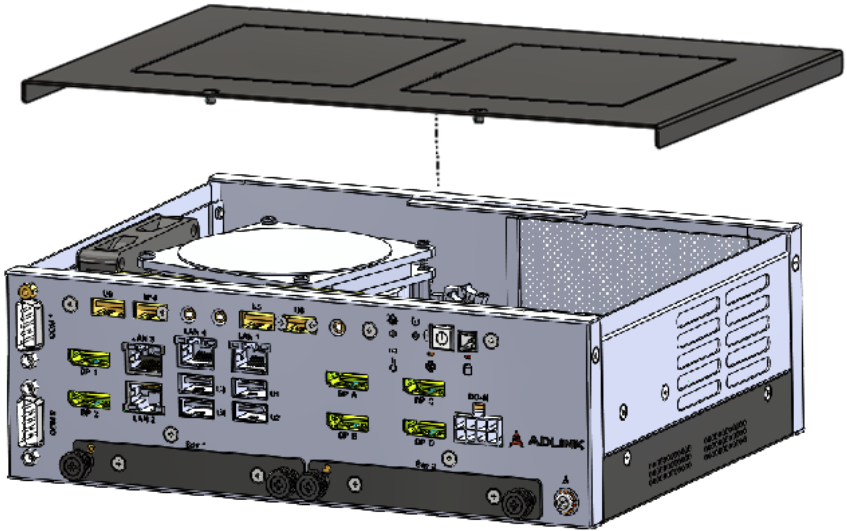
5. Screw the top panel back on to complete the installation.

## 4.4 Installing MXM P3000/P5000/RTX3000/RTX5000 Module

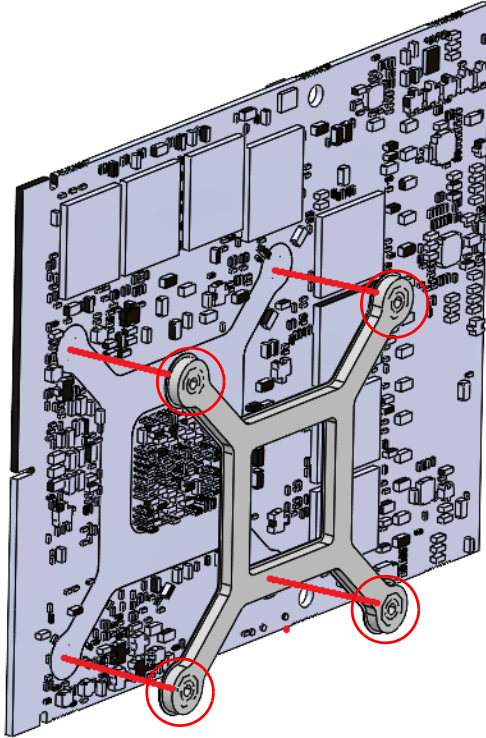
1. Remove 2 screws to detach the top panel from the chassis.



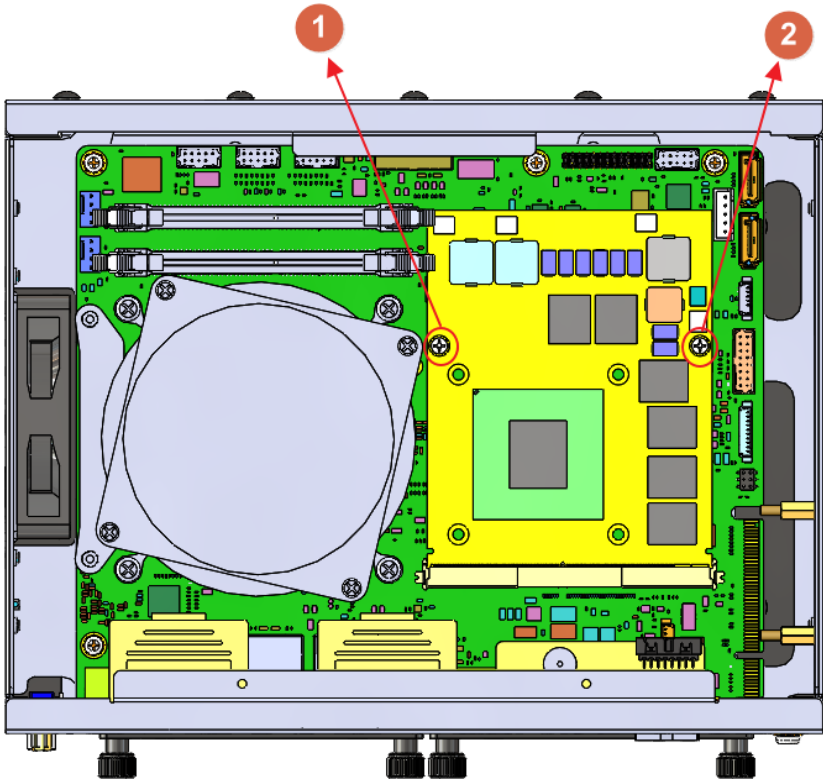
2. Remove the top panel to reveal the internal components of the system.



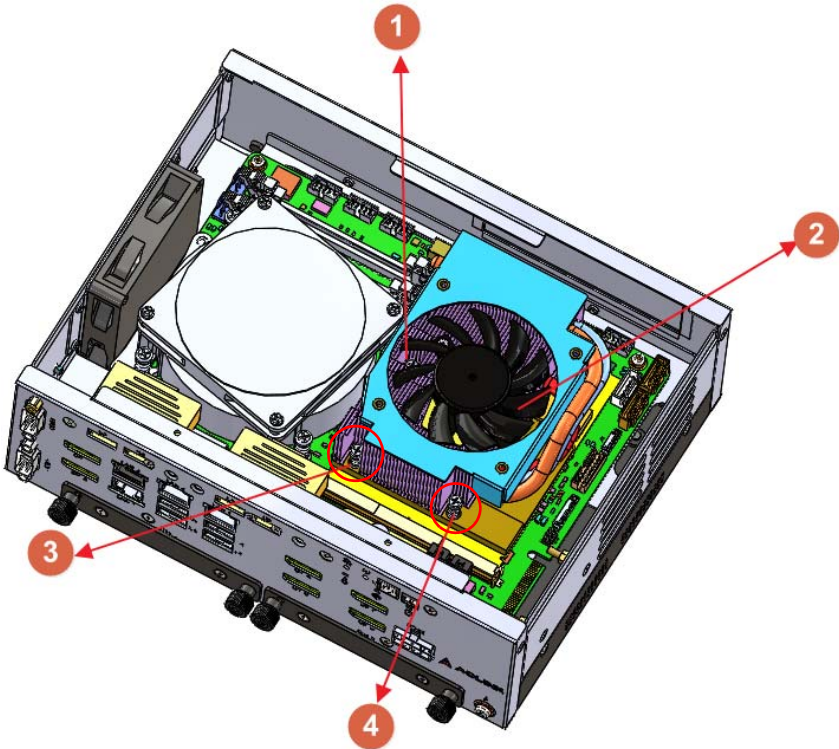
3. Remove the protective film from the MXM cooler bracket and attach the bracket to the bottom side of the MXM module.



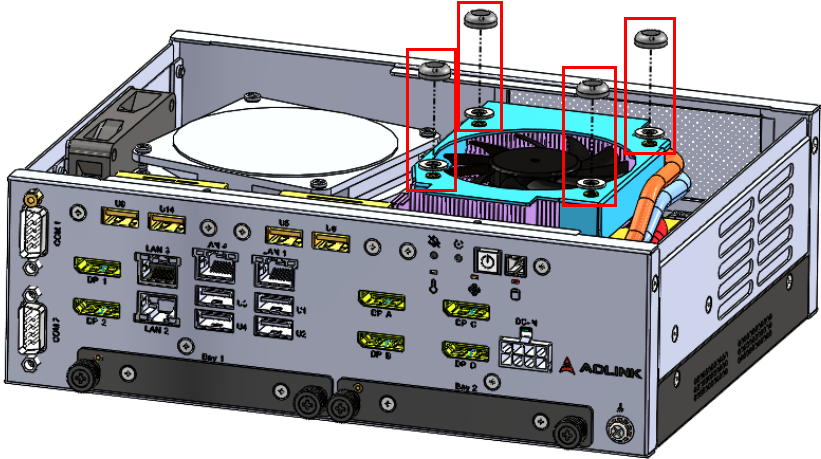
4. Attach the MXM module with 2 M3 screws P/N: 33-03306-0040 at 4kgf/cm torque to the mainboard.



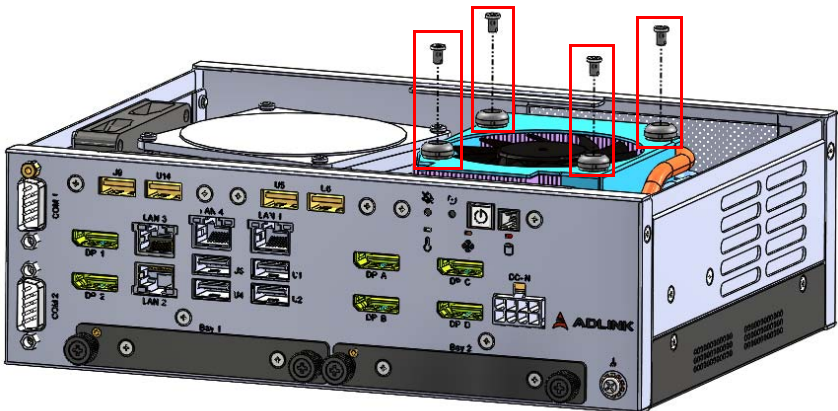
5. Remove the protective film from the MXM cooler and lock the MXM cooler on the MXM module via the four spring screws. Then plug the MXM cooling fan connector into the GPU fan connector.



- Place 4 washers PN: 33-90086-0000-A0 and 4 rubber spacers PN: 39-00039-0000 over the screw holes on the top of the fan.



- Use 4 screws PN: 33-03320-0050 to secure the rubber spacers to the fan at 4kgf/cm torque.



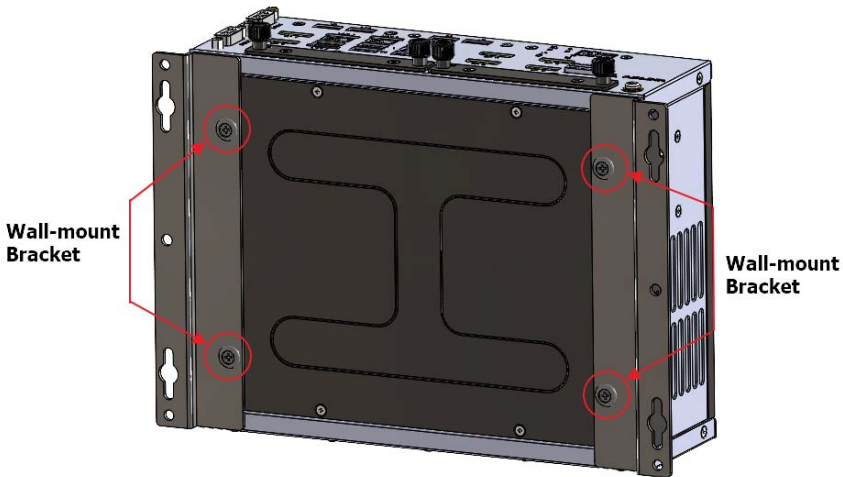
- Screw the top panel back on at 6kgf/cm torque to complete the installation.

## 4.5 Mounting

### 4.5.1 Install the Wall-mount Brackets

Use the 4 footpad screws to attach the 2 wall-mount brackets to the chassis.

*Utilisez les 4 incluses dans la boîte d'accessoires pour fixer les 2 supports de montage mural inclus au châssis.*

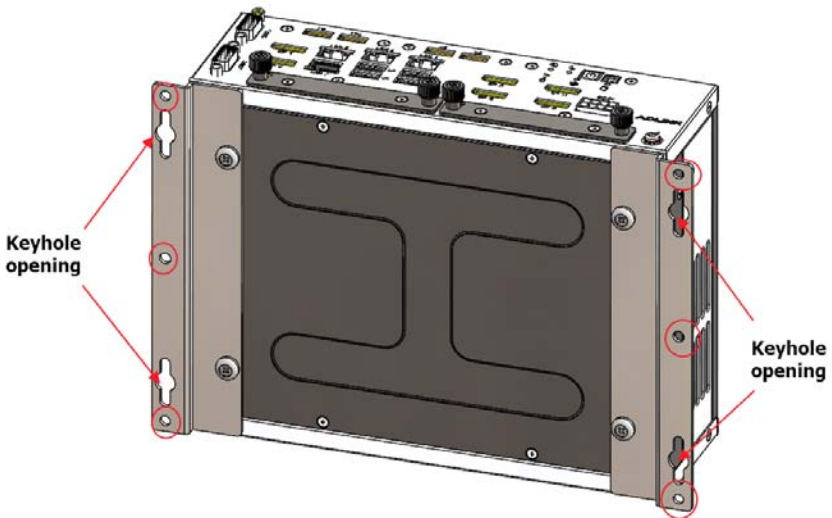




## Mounting the Device / Montage de l'Appareil

Mount the device to a wall using the 4 keyhole openings indicated with M4 6mm screws torqued to 6kgf/cm, or the 6 mounting holes circled, according to the spacing dimensions of the holes in the bracket as shown in Figure 2-9 DLAP-3000/3100-CF Top View.

*Montez l'appareil sur un mur à l'aide des 4 ouvertures de trou de serrure en fonction des dimensions d'espacement des trous dans le support, comme indiqué dans Figure 2-9 DLAP-3000/3100-CF Top View.*



## 4.6 Driver Installation

Download the Windows 10 drivers from the product page at [https://www.adlinktech.com/Products/Industrial\\_PCs\\_Fanless\\_Embedded\\_PCs/IPCSystems/DLAP-3100-CF\\_Series](https://www.adlinktech.com/Products/Industrial_PCs_Fanless_Embedded_PCs/IPCSystems/DLAP-3100-CF_Series).

The following drivers must be installed:

- ▶ Intel GPU
- ▶ Chipset
- ▶ ME
- ▶ LAN
- ▶ Audio
- ▶ MXM
- ▶ DIO (DLAP-3100-CF only)
- ▶ RAID (DLAP-3100-CF only)

# Appendix A Power Consumption



NOTE:

Information in this Appendix is for power budget planning and design purposes only. Actual power consumption may differ based on final application.

## A.1 Power Consumption Reference

Power consumption as follows is based on lab data in which 12V DC is applied and current is measured by the DC power supply. The power consumption (W) is calculated as the product of applied voltage (V) and the current (A).

Platforms tested for this data have available external I/O interfaces, and are attached to supported devices such as keyboard/mouse, USB dummy load, COM loopback, LAN port, and with an internal SSD driver installed.

Information is presented for reference only. Actual power consumption will vary with different attached devices and operating system.

DLAP-3000	Power Consumption
65W CPU/RTX5000 Full loading	260W
65W CPU/RTX3000 Full loading	230W
65W CPU/T1000 Full loading	200W
65W CPU/P5000 Full loading	250W
65W CPU/P3000 Full loading	225W
65W CPU/P2000 Full loading	208W
65W CPU/P1000 Full loading	197W
35W CPU/RTX5000 Full loading	230W
35W CPU/RTX3000 Full loading	200W
35W CPU/T1000 Full loading	170W
35W CPU/P5000 Full loading	220W
35W CPU/P3000 Full loading	195W
35W CPU/P2000 Full loading	178W
35W CPU/P1000 Full loading	167W

**Table A-1: DLAP-3000 Power Consumption**

DLAP-3100	Power Consumption
65W CPU/RTX5000 Full loading	275W
65W CPU/RTX3000 Full loading	245W
65W CPU/T1000 Full loading	215W
65W CPU/P5000 Full loading	265W
65W CPU/P3000 Full loading	240W
65W CPU/P2000 Full loading	223W
65W CPU/P1000 Full loading	212W
35W CPU/RTX5000 Full loading	245W
35W CPU/RTX3000 Full loading	215W
35W CPU/T1000 Full loading	185W
35W CPU/P5000 Full loading	235W
35W CPU/P3000 Full loading	210W
35W CPU/P2000 Full loading	193W
35W CPU/P1000 Full loading	182W

**Table A-2: DLAP-3100 Power Consumption**



NOTE:

- ▶ Sufficient power for the entire system is required to meet these specifications. We recommend using a DC source instead of the optional 240W adaptor when power consumption is over 240W in an environment where the temperature is 40°C.
- ▶ Heat generated by add-on PCIe adapters affects thermal stability. Additional heat dissipation is required when the system operates at high temperatures or in harsh environments with add-on adapters.

## Appendix B Resource Mapping

### B.1 BIOS Mapping in SPI ROM

The chipset supports up to three SPI ROMs (SPI\_CS0#, SPI\_CS1# and SPI\_CS2#). The motherboard uses SPI flash SPI\_CS0# to select the SPI flash which stores ME firmware and the system BIOS. The size of the SPI ROM is 16MB for H310, and 32MB for Q370 chipsets.

From a software standpoint, the serial peripheral interface (SPI) resides in the memory mapped space. This function contains registers that allow for the setup and programming of devices that reside on the SPI interface. The physical SPI ROM can be accessed by putting an address into the flash address register.

The motherboard SPI ROM mapping is as below.

Region	Size
Descriptor	4 KB
ME	8 MB - 4 KB
BIOS	8 MB

## B.2 PCI/PCIe Devices

The following table lists all PCI/PCIe devices in the system.

Bus Number	Device Number	Function Number	Routing	Description
0	0x00	0	N/A	Intel HOST Bridge - 6 Cores/Desktop
0	0x02	0	Internal	IGFX - GT2/6 Cores/Desktop
0	0x01	0	Internal	PEG Root Port D1F0
0	0x12	0	Internal	Thermal Subsystem
0	0x14	0	Internal	USB 3.1 xHCI HC
0	0x14	2	Internal	Shared SRAM
0	0x15	0	Internal	I <sup>2</sup> C Controller #0
0	0x15	1	Internal	I <sup>2</sup> C Controller #1
0	0x16	0	Internal	HECI #1
0	0x17	0	Internal	SATA Controller (AHCI)
0	0x1C	0	Internal	PCI Express* Root Port #1
0	0x1D	0	Internal	PCI Express* Root Port #9
0	0x1D	3	Internal	PCI Express* Root Port #12
0	0x1E	0	Internal	UART #0
0	0x1F	0	Internal	LPC Controller
0	0x1F	3	Internal	Intel® High Definition Audio Interface
0	0x1F	4	Internal	SMBus Controller
0	0x1F	5	Internal	SPI (flash) Controller
0	0x1F	6	Internal	GbE Controller



NOTE:

\* - The bus number changes if a PEG/PCIe port has a bridge device attached.

### B.3 IRQ Lines (APIC Mode)

The following table lists the IRQ line mapping when APIC mode is enabled.

IRQ #	Typical Interrupt Resource	Connected to Pin	Available
0	Counter 0	N/A	No
1	Keyboard Controller	N/A	No
2	Cascade Interrupt from slave PIC	N/A	No
3	Serial Port 2 (COM2)	IRQ3 via SERIRQ/PIRQ	No
4	Serial Port 1 (COM1)	IRQ4 via SERIRQ/PIRQ	No
5	N/A	IRQ5 via SERIRQ/PIRQ	No
6	N/A	IRQ6 via SERIRQ/PIRQ	No
7	N/A	IRQ7 via SERIRQ/PIRQ	No
8	Real-Time clock	N/A	No
9	Generic	N/A	No
10	N/A	IRQ10 via SERIRQ/PIRQ	No
11	N/A	IRQ11 via SERIRQ/PIRQ	No
12	N/A	IRQ12 via SERIRQ/PIRQ	No
13	Math Processor	N/A	No
14	Generic	N/A	No
15	N/A	N/A	No
16-511	Microsoft ACPI-Compliant System	N/A	Yes

## B.4 IRQ Lines (PIC Mode)

The following table lists the IRQ line mapping when APIC mode is disabled.

IRQ #	Typical Interrupt Resource	Connected to Pin	Available
0	Counter 0	N/A	No
1	Keyboard Controller	N/A	No
2	Cascade Interrupt from slave PIC	N/A	No
3	Serial Port 2 (COM2)	IRQ3 via SERIRQ/PIRQ	See note.
4	Serial Port 1 (COM1)	IRQ4 via SERIRQ/PIRQ	See note.
5	N/A	IRQ5 via SERIRQ/PIRQ	See note.
6	N/A	IRQ6 via SERIRQ/PIRQ	See note.
7	N/A	IRQ7 via SERIRQ/PIRQ	See note.
8	Real-Time clock	N/A	No
9	Generic	N/A	No
10	N/A	IRQ10 via SERIRQ/PIRQ	See note.
11	N/A	IRQ11 via SERIRQ/PIRQ	See note.
12	N/A	IRQ12 via SERIRQ/PIRQ	No
13	Math Processor	N/A	No
14	Generic	N/A	No
15	N/A	N/A	See note.



NOTE:

The IRQs can be used for PCI devices when the onboard device is disabled.



## B.5 System Memory Mapping

The following table lists the system memory mapping.

Address Range (Decimal)	Address Range (Hex)	Size	Description
(4GB – 2MB)	FFE00000 – FFFFFFFF	2 MB	High BIOS Area
(4GB – 18MB) – (4GB – 17MB – 1)	FEE00000 – FEEFFFFFF	1 MB	MSI Interrupt
(4GB – 20MB) – (4GB – 19MB – 1)	FEC00000 – FECFFFFFF	1 MB	APIC Configuration Space
15MB – 16MB	F00000 – FFFFFFF	1 MB	ISA Hole
1MB – 15MB	100000 – EFFFFFF	14 MB	Main Memory
0K – 1MB	00000 – FFFFF	1 MB	DOS Compatibility Memory

## B.6 System I/O Mapping

The following table lists the system I/O mapping.

I/O Range (Hex)	Device
020h – 02Dh & 030h – 03Dh	Interrupt controller 1, 8259 equivalent
02Eh – 02Fh	Motherboard resource
040h – 043h & 050h – 053h	System Timer
04Eh – 04Fh	Motherboard resource
060h, 062h, 064h, 066h, 068h – 06Fh	8042 equivalent (keyboard)
061h, 063h, 065h, 067h	NMI control and status
070h – 077h	Real Time Clock Controller (bit 7 – NMI mask)
092h	Reset(Bit 0)/Fast Gate A20 (Bit 1)
0A0h – 0B1h & 0B4h – 0BDh	Interrupt Controller 2, 8259 equivalent
0B2h and 0B3h	APM control and status port
0E0h – 0EFh	Available
0F0h	Co-processor error register
2F8h – 2FFh	Serial Port 2
3F8h – 3FFh	Serial Port 1
378h – 37Fh	Available
380h – 3AFh	Available
4D0h	Master PIC Edge/Level Trigger register
4D1h	Slave PIC Edge/Level Trigger register
0A00h – 0A2Fh	Reserved for SIO functions base address (e.g. PME/GPIO etc.)
0CF8h – 0CFBh	PCI configuration address register (32-bit I/O only)
0CF9h	Reset Controller register (8-bit I/O)
0CFCh – 0CFFh	PCI configuration data register
1800h	PM (ACPI) Base Address for SB

## B.7 PCI/PCIe Interrupt Routing Mapping

### B.7.1 Internal Devices

INT Line	Audio Controller	xHCI Controller	TXE Controller #1	LPC Controller	SATA Controller	SMBus Controller
Int0	INTA: 16	INTA: 16	INTA: 16	INTA: 16	INTA: 16	INTA: 16
Int1		INTB: 17	INTB: 17	INTB: 17		
Int2		INTC: 18	INTC: 18	INTC: 18		
Int3		INTD: 19	INTD: 19	INTD: 19		

### B.7.2 PCIe Root Ports

INT Line	PCIe Port 1	PCIe Port 5	PCIe Port 6	PCIe Port 11	PCIe Port 17	PCIe Port 21
Int0	INTA: 16	INTA: 16	INTB: 17	INTC: 18	INTA: 16	INTA: 16
Int1	INTB: 17	INTB: 17	INTC: 18	INTD: 19	INTB: 17	INTB: 17
Int2	INTC: 18	INTC: 18	INTD: 19	INTA: 16	INTC: 18	INTC: 18
Int3	INTD: 19	INTD: 19	INTA: 16	INTB: 17	INTD: 19	INTD: 19

## B.8 SMBus Slave Address Mapping

The following table lists the SMBus slave address (8-bit addressing) mapping.

Device	Address
DIMM A	0A0h
DIMM B	0A4h
BMC	050h
NXP	0C0h

## Appendix C BIOS Setup

BIOS can be configured via the BIOS Setup Utility that is invoked during BIOS boot phase. The BIOS configuration is kept in NVRAM which is the same hardware part where the BIOS is stored. All settings will remain after the system is powered down.

### C.1 BIOS Setup Menu

The BIOS Setup Utility is invoked by pressing <ESC> or <DEL> when the system boots. A system reboot is required when changes are made in the BIOS setup utility.

The BIOS Setup Utility includes the following hotkeys.

- ▶ <F1>: General help
- ▶ <F8>: Load previous BIOS values
- ▶ <F9>: Load BIOS default values
- ▶ <F10>: Save & Exit the setup utility

### Menu Selection Bar

The Menu Selection Bar is located at the top of the screen. It displays the top level menus available to the user.

- ▶ Main Menu
- ▶ Advanced Menu
- ▶ Chipset Menu
- ▶ Security Menu
- ▶ Boot Menu
- ▶ Save & Exit Menu

## Menu Conventions

The appearance of the setup menus and items listed in this chapter are based on a VT100 terminal connection via serial console with the following menu conventions.

- ▶ Using color

The default BIOS setup fields are in black. The BIOS setup fields currently not used are in grey. The display strings are in black.

- ▶ Using brackets

Editable menu options are marketed with square brackets, '[' and ']'.  
[ ]

## C.2 Menu Structure

This section presents the six primary menus of the BIOS Setup Utility. Use the following tables as a quick reference for the contents of the BIOS Setup Utility. The remainder of this chapter describe the submenus and options for each menu item. The default settings are presented in bold, and the function of each setting is described in the right hand column of the table.

Main	Advanced
- BIOS Information	- CPU Configuration ►
- System Information	- Graphics Configuration ►
- Processor Information	- Power Management ►
- Memory Information	- System Management ►
- PCH Information	- Thermal Management ►
- Board Information ►	- Watchdog Timer ►
- System Date	- Super IO Configuration ►
- System Time	- Serial Console Redirection ►
- Access level	- Trusted Computing ►
	- S5 RTC Wake Settings ►
	- NVMe Configuration ►
	- Network Stack Configuration ►
	- RAM Disk Configuration ►
	- Network Configuration ►

Chipset	Security
- System Agent (SA) Configuration ►	- Password Description
- PCH-IO Configuration ►	- Administrator Password
	- User Password
	- Secure Boot menu ►

Boot	Save & Exit
- Boot Configuration	- Save Changes and Exit
- Setup Prompt Timeout	- Discard Changes and Exit
- Bootup NumLock State	- Save Changes and Reset
- Quiet Boot	- Discard Changes and Reset
- Fast Boot	- Save Changes
- Boot Order	- Discard Changes
	- Restore Defaults
	- Save as User Defaults
	- Restore User Defaults
	- Boot Override



NOTE:

- ► indicates a submenu
- Gray text indicates info only
- **Bold text** indicates a default setting



## C.3 Main Menu

This menu provides read-only information about your system and also allows you to set the System Date and Time. Refer to the tables below for details of the submenus and settings.

### C.3.1 Main > BIOS Information

Feature	Options	Description
BIOS Information	Info only	
BIOS Vendor	Info only	BIOS Vendor
BIOS Version	Info only	BIOS Version.
Build Date	Info only	BIOS build date
MRC Version	Info only	MRC Version
GOP Version	Info only	GOP Version
ME FW Version	Info only	ME FW Version

### C.3.2 Main > System Information

Feature	Options	Description
System Information	Info only	
Project Name	Info only	Project Name

### C.3.3 Main > Processor Information

Feature	Options	Description
CPU Board Version	Info only	CPU Board Version
CPU Brand String	Info only	CPU Brand String
Stepping	Info only	CPU Stepping
GT Info	Info only	GT Info
CPU Frequency	Info only	CPU Frequency

### C.3.4 Main > Memory Information

Feature	Options	Description
Total Memory	Info only	Total Memory
Memory Frequency	Info only	Memory Frequency

### C.3.5 Main > PCH Information

Feature	Options	Description
PCH SKU	Info only	PCH SKU
Stepping	Info only	PCH Stepping

### C.3.6 Main > Board Information > Board Information

Feature	Options	Description
Board Information	Info only	
Serial Number	Info only	Serial Number
Manufacturing Date	Info only	Manufacturing Date
Last Repair Date	Info only	Last Repair Date
MAC ID	Info only	MAC ID

### C.3.7 Main > Board Information > Runtime Statistics

Feature	Options	Description
Runtime Statistics	Info only	
Total Runtime	Info only	Total Runtime
Current Runtime	Info only	Current Runtime
Power Cycles	Info only	Power Cycles
Boot Cycles	Info only	Boot Cycles
Boot Reason	Info only	Boot Reason

### C.3.8 Main > System Date & Time

Feature	Options	Description
System Date	Weekday, MM/DD/ YYYY	Requires the alpha-numeric entry of the day of the week, day of the month, calendar month, and all 4 digits of the year, indicating the century and year (Fri XX/XX/20XX)
System Time	HH/MM/SS	Presented as a 24-hour clock setting in hours, minutes, and seconds

### C.3.9 Main > Access Level

Feature	Options	Description
Access	Level	Administrator / User

## C.4 Advanced Menu

This menu contains the settings for most of the user interfaces in the system.

### C.4.1 Advanced > CPU Configuration

Feature	Options	Description
CPU Configuration	Info only	
Type	Info only	Displays the Processor Type
Package	Info only	Displays the Processor Package
Stepping	Info only	Displays the Processor Stepping.
Number of Processors	Info only	Displays number of CPU cores.
CPUID	Info only	Displays the Processor ID.
Microcode Revision	Info only	CPU Microcode Revision
Speed	Info only	Displays the Processor Speed.
L1 Data Cache	Info only	Displays the Processor L1 Data Cache size.
L1 Instruction Cache	Info only	Displays the Processor L1 Instruction Cache size.
L2 Cache	Info only	Displays the Processor L2 Cache size.
L3 Cache	Info only	Displays the Processor L3 Cache size.
L4 Cache	Info only	Displays the Processor L4 eDRAM size.
VMX	Info only	VMX Supported or Not
SMX/TXT	Info only	SMX/TXT Supported or Not
Active Processor Cores	<b>All</b> 1 2 3	Number of cores to enable in each processor package.
Intel (VMX) Virtualization Technology	Disabled <b>Enabled</b>	When enabled, a VMM can utilize the additional hardware capabilities provided by Vanderpool Technology.
Intel Trusted Execution Technology	<b>Disabled</b> Enabled	Enables utilization of additional hardware capabilities provided by Intel (R) Trusted Execution Technology.

Feature	Options	Description
Intel(R) SpeedStep(tm)	Disabled <b>Enabled</b>	Allows more than two frequency ranges to be supported.
Intel(R) Speed Shift Technology	Disabled <b>Enabled</b>	Enables/Disables Intel(R) Speed Shift Technology support. Enabling will expose the CPPC v2 interface to allow for hardware controlled P-states.
Turbo Mode	Disabled <b>Enabled</b>	Enables/Disables processor Turbo Mode (requires Intel Speed Step or Intel Speed Shift to be available and enabled).
C states	Disabled <b>Enabled</b>	Enables/Disables CPU Power Management. Allows CPU to go to C states when not 100% utilized.
C-State Auto Demotion	Disabled C1 C3 <b>C1 and C3</b>	Configure C-State Auto Demotion
C-State Un-demotion	Disabled C1 C3 <b>C1 and C3</b>	Configure C-State Un-demotion
Package C-State Demotion	<b>Disabled</b> Enabled	Package C-State Demotion
Package C-State Un-demotion	<b>Disabled</b> Enabled	Package C-State Un-demotion
Package C State Limit	C0/C1 C2 C3 C6 C7 C7S C8 C9 C10 Cpu Default <b>Auto</b>	Maximum Package C State Limit Setting. Cpu Default: Leaves to Factory default value. Auto: Initializes to deepest available Package C State Limit.

Feature	Options	Description
Tcc Activation Offset	0-63 <b>Default: 1</b>	Offset from factory set Tcc activation temprature at which the Thermal Control Circuit must be activated. Tcc will be activated at: Tcc Activation Temp - Tcc Activation Offset. Tcc Activation Offset range is 0 to 63.

## C.4.2 Advanced > Graphics Configuration

Feature	Options	Description
Graphics Configuration	Info only	
LVDS	Info only	
eDP/LVDS	Disabled <b>Enabled</b>	Enables/Disables eDP/LVDS
LFP Panel Type	<b>VBIOS Default</b> 640x480 800x600 1024x768 1280x1024 1400x1050 1266x768 1600x1200 1366x768 1680x1050 1920x1200 1440x900 1600x900 1024x768 1280x800 1920x1080 2048x1536	Select LFP panel used by Internal Graphics Device by selecting the appropriate setup item.
Spreading depth	<b>No Spreading</b> 0.50% 1.00% 1.50% 2.00% 2.50%	Clock frequency center spreading depth.

Feature	Options	Description
Data format and Color Depth	<b>VESA 24 bpp</b> JEIDA 24 bpp JEIDA/vesa 18 bpp	Data format and Color Depth select
LVDS Output Mode	<b>Dual LVDS bus</b> Single LVDS bus	Single/Dual mode select
DE Polarity	<b>Active High</b> Active Low	DE Polarity select
Vsync Polarity	<b>Active High</b> Active Low	Vsync Polarity select
Hsync Polarity	<b>Active High</b> Active Low	Hsync Polarity select
LVDS Backlight Mode	<b>BMC Mode</b> <b>GTT Mode</b>	Select LVDS Backlight control function.
LVDS Backlight Brightness	BMC Mode: 0-255 <b>Default: 255</b>	Set LVDS Backlight Brightness Percentage.
	GTT Mode: 0-100 <b>Default 100</b>	The change takes effect immediately.

### C.4.3 Advanced > Power Consumption

Feature	Options	Description
Power Consumption	Info only	
Enable ACPI Auto Configuration	<b>Disabled</b> Enabled	Enables/Disables BIOS ACPI Auto Configuration.
Enable Hibernation	Disabled <b>Enabled</b>	Enables/Disables System ability to Hibernate (OS/S4 Sleep State). This option may not be effective with some operating systems.
ACPI Sleep State	Suspend Disabled <b>S3 (Suspend to RAM)</b>	Select the highest ACPI sleep state the system will enter when the SUSPEND button is pressed.

Feature	Options	Description
Lock Legacy Resources	<b>Disabled</b> Enabled	Enables/Disables Lock of Legacy Resources
Restore AC Power Loss	Power On Power Off <b>Last State</b>	Select AC power state when power is re-applied after a power failure.
Power Supply Unit	Emulate AT Mode <b>ATX Mode</b>	ATX: OS will turn off system power when shutdown. NOTE: AT mode will not support S3 & S4, so it will change Power Loss State to Power On
PCI Express Wake	Disabled <b>Enabled</b>	Enables/Disables PCI Express Wake ping for PCIe device wake function
Power Consumption ▶	Sub-Menu	Power Consumption

#### C.4.4 Advanced > Power Consumption > Power Consumption

Feature	Options	Description
Power Consumption	Info only	
Current Input Current	Info only	Current Input Current
Current Input Power	Info only	Current Input Power
VIN	Info only	VIN
VCORE	Info only	VCORE
RTC	Info only	RTC



### C.4.5 Advanced > System Management

Feature	Options	Description
System Management	Info only	
Version	Info only	
SEMA Firmware	Info only	Version of SEMA Firmware
Build Date	Info only	Build Date of SEMA Firmware
SEMA Bootloader	Info only	Version of SEMA Bootloader
Build Date	Info only	Build Date of SEMA Bootloader
SEMA Features ►	Sub-Menu	SEMA Features
Flags ►	Sub-Menu	Flags
SPI ROM WP ►	Sub-Menu	SPI ROM write protect
BIOS Post Update Menu	Sub-Menu	An update BIOS interface

### C.4.6 Advanced > System Management > SEMA Features

Feature	Options	Description
SEMA Features	Info only	
Uptime & Power Cycles Counter	Info only	Uptime & Power Cycles Counter
System Restart Event	Info only	System Restart Event
1024 Bytes User-Flash	Info only	1024 Bytes User-Flash
Watchdog	Info only	Watchdog
Temperatures	Info only	Temperatures
Voltage Monitor	Info only	Voltage Monitor
Display Backlight control	Info only	Display Backlight control
Power-Up Watchdog	Info only	Power-Up Watchdog
Power Monitor (current sense)	Info only	Power Monitor (current sense)
Boot Counter	Info only	Boot Counter
5V Input-Voltage	Info only	5V Input-Voltage
4mR Rsense for Input-Voltage	Info only	4mR Rsense for Input-Voltage
CPU Fan	Info only	CPU Fan
System Fan 1	Info only	System Fan 1

Feature	Options	Description
AT/ATX mode	Info only	AT/ATX mode
ACPI Thermal Trigger	Info only	ACPI Thermal Trigger
Backlight restore	Info only	Backlight restore
DTS register available	Info only	DTS register available
System Fan 2	Info only	System Fan 2
TIVA BMC	Info only	TIVA BMC
Board2 Temperature	Info only	Board2 Temperature
SEMA Error Log	Info only	SEMA Error Log
Soft Fan	Info only	Soft Fan

### C.4.7 Advanced > System Management > Flags

Feature	Options	Description
Flags	Info only	
BMC Flags	Info only	BMC Flags
BIOS Select	Info only	BIOS Select
ATX/AT-Mode	Info only	ATX/AT-Mode
Exception Code	Info only	Exception Code

### C.4.8 Advanced > System Management > SPI ROM WP

Feature	Options	Description
SPI ROM Write Protect	<b>Disabled</b> Enabled	Enables/Disables SPI ROM Write Protect

### C.4.9 Advanced > System Management > BIOS Post Update Menu

Feature	Description
BIOS Post Update Menu	An update BIOS interface.
Choose BIOS Image	An interface to let users choose a BIOS image in a local storage device.
Start Flash	Start to flash BIOS

### C.4.10 Advanced > Thermal Management

Feature	Options	Description
Thermal Management	Info only	
<b>CPU Temperature</b>	Info only	
Current	Info only	Current CPU temperature
Startup	Info only	Startup CPU temperature
Min	Info only	Min. CPU temperature
Max	Info only	Max. CPU temperature
<b>Board Temperatures</b>	Info only	
Current	Info only	Current Board temperature
Startup	Info only	Startup Board temperature
Min	Info only	Min. Board temperature
Max	Info only	Max. Board temperature
<b>GPU Temperatures</b>	Info only	
Current	Info only	Current GPU temperature
Startup	Info only	Startup GPU temperature
Min	Info only	Min. GPU temperature
Max	Info only	Max. GPU temperature
CPU Fan Speed	Info only	CPU Fan Speed
System Fan Speed	Info only	System Fan Speed
GPU Fan Speed	Info only	GPU Fan Speed
Smart Fan ►	Sub-Menu	Smart Fan
Critical Trip Point	<b>Disabled</b> 80 C 90 C 95 C	This value is the temperature threshold of the Critical Trip Point.
Passive Cooling Trip Point	Disabled 70 C 80 C 90 C <b>99 C</b>	This value is the temperature threshold of the Passive Cooling Trip Point.

### C.4.11 Advanced > Thermal Management > Smart Fan

Feature	Options	Description
Smart Fan	Info only	
<b>CPU Smart Fan Temperature Source</b>	<b>CPU Sensor</b>	CPU Smart Fan Temperature Source
<b>CPU Fan Mode</b>	<b>AUTO (Smart Fan)</b> Fan Off Fan On	CPU Fan Mode
Trigger Point 1	Info only	
Trigger Temperature	0-100 <b>Default: 0</b>	Trigger Temperature
PWM Level	0-100 <b>Default: 30</b>	PWM Level
Trigger Point 2	Info only	
Trigger Temperature	0-100 <b>Default: 65</b>	Trigger Temperature
PWM Level	0-100 <b>Default: 55</b>	PWM Level
Trigger Point 3	Info only	
Trigger Temperature	0-100 <b>Default: 85</b>	Trigger Temperature
PWM Level	0-100 <b>Default: 80</b>	PWM Level
Trigger Point 4	Info only	
Trigger Temperature	0-100 <b>Default: 92</b>	Trigger Temperature
PWM Level	0-100 <b>Default: 100</b>	PWM Level
<b>System Smart Fan Temperature Source</b>	<b>CPU Sensor</b>	System Smart Fan Temperature Source
<b>System Fan Mode</b>	<b>AUTO (Smart Fan)</b> Fan Off Fan On	System Fan Mode
Trigger Point 1	Info only	

Feature	Options	Description
Trigger Temperature	0-100 <b>Default: 0</b>	Trigger Temperature
PWM Level	0-100 <b>Default: 30</b>	PWM Level
Trigger Point 2	Info only	
Trigger Temperature	0-100 <b>Default: 50</b>	Trigger Temperature
PWM Level	0-100 <b>Default: 45</b>	PWM Level
Trigger Point 3	Info only	
Trigger Temperature	0-100 <b>Default: 65</b>	Trigger Temperature
PWM Level	0-100 <b>Default: 65</b>	PWM Level
Trigger Point 4	Info only	
Trigger Temperature	0-100 <b>Default: 85</b>	Trigger Temperature
PWM Level	0-100 <b>Default: 100</b>	PWM Level
<b>GPU Smart FanTemperature Source</b>	<b>GPU Sensor</b>	GPU Smart FanTemperature Source
<b>GPU Fan Mode</b>	<b>AUTO (Smart Fan)</b> Fan Off Fan On	GPU Fan Mode
Trigger Point 1	Info only	
Trigger Temperature	0-100 <b>Default: 0</b>	Trigger Temperature
PWM Level	0-100 <b>Default: 25</b>	PWM Level
Trigger Point 2	Info only	
Trigger Temperature	0-100 <b>Default: 45</b>	Trigger Temperature
PWM Level	0-100 <b>Default: 50</b>	PWM Level
Trigger Point 3	Info only	

Feature	Options	Description
Trigger Temperature	0-100 <b>Default: 60</b>	Trigger Temperature
PWM Level	0-100 <b>Default: 75</b>	PWM Level
Trigger Point 4	Info only	
Trigger Temperature	0-100 <b>Default: 80</b>	Trigger Temperature
PWM Level	0-100 <b>Default: 100</b>	PWM Level

#### C.4.12 Advanced > Watchdog Timer

Feature	Options	Description
Watchdog Timer	Info only	
Power-Up Watchdog	<b>Disabled</b> Enabled	The Power Up Watchdog resets the system after a certain amount of time after power up.
Timeout	0-65535 <b>Default: 65535</b>	The time the Power Up Watchdog should wait until it resets the system.
ATTENTION: Pressing F12 during start up disables the Power Up Watchdog.	Info only	
RunTime Watchdog	<b>Disabled</b> Enabled	The RunTime Watchdog resets the system after a certain amount of time after power up.
Timeout	0-65535 <b>Default: 24</b>	The Power Up Watchdog should wait until it resets the system.
Watchdog ACPI Event Shutdown	<b>Disabled</b> Enabled	Enables/Disables Watchdog ACPI Event Shutdown

### C.4.13 Advanced > Super IO Configuration

Feature	Options	Description
Super IO Configuration	Info only	
COM1 Device Settings	Info only	IO=3F8h; IRQ=4;
COM1 Control	<b>RS232</b>	Select COM1 mode. RS232 only
Ring1 Wake	Disabled <b>Enabled</b>	Disable/Enable RI ping for Wake On Ring function(PCH PME# signal)
COM2 Device Settings	Info only	IO=2F8; IRQ=3;
COM2 Control	<b>RS232</b> RS422 RS485	Select COM2 mode. RS232, RS422 or RS485
Ring2 Wake	Disabled <b>Enabled</b>	Disable/Enable RI ping for Wake On Ring function(PCH PME# signal)

### C.4.14 Advanced > Serial Console Redirection

Feature	Options	Description
Serial Console Redirection	Info only	
COM1	Info only	
Console Redirection	<b>Disabled</b> Enabled	Enables/Disables Console Redirection
Console Redirection Settings ►	Submenu	The settings specify how the host computer and the remote computer will exchange data. Both computers should have the same or compatible settings.
COM2	Info only	
Console Redirection	<b>Disabled</b> Enabled	Enables/Disables Console Redirection
Console Redirection Settings ►	Submenu	The settings specify how the host computer and the remote computer will exchange data. Both computers should have the same or compatible settings.

### C.4.15 Advanced > Console Redirection Settings [COM1-2]

Feature	Options	Description
COM[1-2] Console Redirection Settings	Info only	
Terminal Type	VT100 VT100+ VT-UTF8 <b>ANSI</b>	Emulation: ANSI: Extended ASCII char set. VT100: ASCII char set. VT100+: Extends VT100 to support color, function keys, etc. VT-UTF8: Uses UTF8 encoding to map Unicode chars onto 1 or more bytes.
Bits per second	9600 19200 38400 57600 <b>115200</b>	Selects serial port transmission speed. The speed must be matched on both connected systems. Long or noisy lines may require lower speeds.
Data Bits	7 <b>8</b>	Data Bits.
Parity	<b>None</b> Even Odd Mark Space	A parity bit can be sent with the data bits to detect some transmission errors. Even: parity bit is 0 if the num of 1's in the data bits is even. Odd: parity bit is 0 if num of 1's in the data bits is odd. Mark: parity bit is always 1. Space: Parity bit is always 0. Mark and Space Parity do not allow for error detection. They can be used as an additional data bit.
Stop Bits	<b>1</b> 2	Stop bits indicate the end of a serial data packet. (A start bit indicates the beginning). The standard setting is 1 stop bit. Communication with slow devices may require more than 1 stop bit.



Feature	Options	Description
Flow Control	<b>None</b> Hardware RTS/CTS	Flow control can prevent data loss from buffer overflow. When sending data, if the receiving buffers are full, a 'stop' signal can be sent to stop the data flow. Once the buffers are empty, a 'start' signal can be sent to re-start the flow. Hardware flow control uses two wires to send start/stop
VT-UTF8 Combo Key Support	Disabled <b>Enabled</b>	Enable VT-UTF8 Combination Key Support for ANSI/VT100 terminals
Recorder Mode	<b>Disabled</b> Enabled	With this mode enabled only text will be sent. This is to capture Terminal data.
Resolution 100x31	<b>Disabled</b> Enabled	Enables/Disables extended terminal resolution
Putty KeyPad	<b>VT100</b> LINUX XTERMR6 SCO ESCN VT400	Select FunctionKey and KeyPad on Putty.

#### C.4.16 Advanced > Trusted Computing [TPM 2.0 Configuration]

Feature	Options	Description
Configuration	Info only	
Security Device Support	Disabled <b>Enabled</b>	Enables/Disables BIOS support for security device. OS will not show Security Device. TCG EFI protocol and INT1A interface will not be available.
TPM 2.0 Configuration	Info only	
TPM20 Device Found	Info only	
Firmware Version:	Info only	
Vendor:	Info only	

Feature	Options	Description
Security Device Support	Disabled <b>Enabled</b>	Enables/Disables BIOS support for security device. OS will not show Security Device. TCG EFI protocol and INT1A interface will not be available.
Active PCR banks	Info only	
Available PCR banks	Info only	
SHA-1 PCR Bank	Disabled <b>Enabled</b>	Enables/Disables SHA-1 PCR Bank
SHA256 PCR Bank	Disabled <b>Enabled</b>	Enables/Disables SHA256 PCR Bank
Pending operation	<b>None</b> TPM Clear	Schedule an Operation for the Security Device. NOTE: Your Computer will reboot during restart in order to change State of Security Device.
Platform Hierarchy	Disabled <b>Enabled</b>	Enables/Disables Platform Hierarchy
Storage Hierarchy	Disabled <b>Enabled</b>	Enables/Disables Storage Hierarchy
Endorsement Hierarchy	Disabled <b>Enabled</b>	Enables/Disables Endorsement Hierarchy
TPM2.0 UEFI Spec Version	TCG_1_2 <b>TCG_2</b>	Select the TCG2 Spec Version Support
Physical Presence Spec Version	1.2 <b>1.3</b>	Select to Tell OS to support PPI Spec Version 1.2 or 1.3. Note some HCK tests might not support 1.3.
PH Randomization	Disabled <b>Enabled</b>	Enables/Disables Platform Hierarchy randomization. DO NOT ENABLE THIS QUESTION IN PRODUCTION PLATFORMS. THIS IS FOR DEVELOPMENT TESTING. OVERRIDE ChangePlatformAuth ELINK for production platforms supporting TXT.

### C.4.17 Advanced > RTC Wake Settings

Feature	Options	Description
RTC Wake system from S5	<b>Disabled</b> Fixed Time Dynamic Time	Enables/Disables System wake on alarm event. FixedTime: system will wake on the hr::min::sec specified. DynamicTime: System will wake on the current time + Increase minute(s)
Wake up hour	0-23 <b>Default: 0</b>	Range: 0-23 hr For example enter 3 for 3am and 15 for 3pm
Wake up minute	0-59 <b>Default: 0</b>	Range: 0-59 min
Wake up second	0-59 <b>Default: 0</b>	Range: 0-59 sec
Wake up minute increase	1-5 <b>Default: 1</b>	Range: 1-5 min

### C.4.18 Advanced > NVMe Configuration

Feature	Options	Description
NVMe Configuration	Info only	
List NVMe Device	Info only	

### C.4.19 Advanced > Network Stack Configuration

Feature	Options	Description
Network Stack	<b>Disabled</b> Enabled	Enables/Disables UEFI Network Stack
Ipv4 PXE Support	<b>Disabled</b> Enabled	Enables/Disables IPv4 PXE boot support. If disabled, IPv4 PXE boot support will not be available.
Ipv4 HTTP Support	<b>Disabled</b> Enabled	Enables/Disables IPv4 HTTP boot support. If disabled, IPv4 HTTP boot support will not be available.

Feature	Options	Description
Ipv6 PXE Support	<b>Disabled</b> Enabled	Enables/Disables IPv6 PXE boot support. If disabled, IPv6 PXE boot support will not be available.
Ipv6 HTTP Support	<b>Disabled</b> Enabled	Enables/Disables IPv6 HTTP boot support. If disabled, IPv6 HTTP boot support will not be available.
IPSEC Certificate	Disabled <b>Enabled</b>	Enables/Disables IPSEC certificate for Ikev.
PXE boot wait time	0-5 <b>Default: 0</b>	Wait time in seconds to press ESC key to abort PXE boot. Use either +/- or numeric keys to set the value.
Media detect count	1-50 <b>Default: 1</b>	Number of times the presence of media will be checked. Use either +/- or numeric keys to set the value.

#### C.4.20 Advanced > [Network Name] Network Configuration

Feature	Options	Description
This sub-menu is controlled by device firmware, refer to the actual layout.		

#### C.4.21 Advanced > RAM Disk Configuration

Feature	Options	Description
Disk Memory Type:	<b>Boot Service Data</b> Reserved	Specifies type of memory to use from available memory pool in system to create a disk.
Create raw ►	Sub-Menu	Create a raw RAM disk.
Create from file ►	Sub-Menu	Create a RAM disk from a given file.
Created RAM disk list:	Info only	
Remove selected RAM disk(s)	Remove selected RAM disk(s)	

**C.4.22 Advanced > RAM Disk Configuration > Create raw**

Feature	Options	Description
Size (Hex):	Number	The valid RAM disk size should be multiples of the RAM disk block size.
Create & Exit	Yes	Create a new RAM disk with the given starting and ending address.
Discard & Exit	Yes	Discard and exit.

**C.4.23 Advanced > RAM Disk Configuration > Create from file**

Feature	Options	Description
Create from file	Select file	Create a RAM disk from a given file.

## C.5 Chipset

### C.5.1 Chipset > System Agent (SA) Configuration

Feature	Options	Description
System Agent (SA) Configuration	Info only	
SA PCIe Code Version	Info only	SA PCIe Code Version
VT-d	Info only	Supported or not
Memory Configuration ►	Sub-Menu	Memory Configuration Parameters
Graphics Configuration ►	Sub-Menu	Graphics Configuration
PEG Port Configuration ►	Sub-Menu	PEG Port Options
VT-d	Disabled <b>Enabled</b>	VT-d capability
Above 4GB MMIO BIOS assignment	<b>Disabled</b> Enabled	Enables/Disables above 4GB MemoryMappedIO BIOS assignment

### C.5.2 Chipset > System Agent (SA) Configuration > Memory Configuration

Feature	Options	Description
Memory Configuration	Info only	
Memory RC Version	Info only	Memory RC Version
Memory Frequency	Info only	Memory Frequency
Memory Timings (tCL-tRCD-tRP-tRAS)	Info only	Memory Timings (tCL-tRCD-tRP-tRAS)
DIMM 1	Info only	DIMM 1 info
Size	Info only	Size of DIMM 1
Number of Ranks	Info only	Number of Ranks of DIMM 1
Manufacturer	Info only	Manufacturer of DIMM 1
DIMM 2	Info only	DIMM 2 info
Size	Info only	Size of DIMM 2
Number of Ranks	Info only	Number of Ranks of DIMM 2
Manufacturer	Info only	Manufacturer of DIMM 2

Feature	Options	Description
Memory Remap	Disabled <b>Enabled</b>	Enables/Disables Memory Remap above 4GB
Fast Boot	Disabled <b>Enabled</b>	Enables/Disables fast path through MRC

### C.5.3 Chipset > System Agent (SA) Configuration > Graphics Configuration

Feature	Options	Description
Graphics Configuration	Info only	
Graphics Turbo IMON Current	14-31 <b>Default: 31</b>	Graphics turbo IMON current values supported (14-31)
Primary Display	Auto <b>IGFX</b> PEG	Select which of IGFX/PEG Graphics device should be Primary Display.
Internal Graphics	Auto Disabled <b>Enabled</b>	Keep IGFX enabled based on the setup options.
GTT Size	2MB 4MB <b>8MB</b>	GTT Size
DVMT Total Gfx Mem	128M <b>256M</b> MAX	DVMT5.0 Total Graphic Memory size used by the Internal Graphics Device.

## C.5.4 Chipset > System Agent (SA) Configuration > PEG Port Configuration

Feature	Options	Description
PEG Port Configuration	Info only	
PEG [Bus, Dev, Fun]	Info only	PEG location and info
Enable Root Port	Disabled Enabled <b>Auto</b>	Enables/Disables the Root Port
Max Link Speed	<b>Auto</b> Gen1 Gen2 Gen3	Configure PEG [Bus, Dev, Fun] Max Speed
PCIe Spread Spectrum Clocking	Disabled <b>Enabled</b>	Allows disabling Spread Spectrum Clocking for compliance testing

## C.5.5 Chipset > PCH-IO Configuration

Feature	Options	Description
PCH-IO Configuration	Info only	
PCI Express Configuration ►	Sub-Menu	PCI Express Configuration settings
SATA Configuration ►	Sub-Menu	SATA Device Settings
USB Configuration ►	Sub-Menu	USB Configuration settings
Security Configuration ►	Sub-Menu	Security Configuration settings
HD Audio Configuration ►	Sub-Menu	HD Audio Subsystem Configuration Settings
PCH digital I/O device	<b>Disabled</b> Enabled	Enables/Disables PCH digital I/O device
SPD Write Disable	<b>TRUE</b> FALSE	Enables/Disables setting SPD Write Disable. For security recommendations, SPD write disable bit must be set.



## C.5.6 Chipset > PCH-IO Configuration > PCI Express Configuration

Feature	Options	Description
PCI Express Configuration	Info only	
PCI Express Clock Gating	Disabled <b>Enabled</b>	Enables/Disables PCI Express Clock Gating for each root port.
Pcie Pll SSC	Auto 0.0% 0.1% 0.2% 0.3% 0.4% 0.5% 0.6% 0.7% 0.8% 0.9% 1.0% 1.1% 1.2% 1.3% 1.4% 1.5% 1.6% 1.7% 1.8% 1.9% 2.0%	Pcie Pll SSC percentage. AUTO - Keep hw default, no BIOS override. Range is 0.0%-2.0%.

## C.5.7 Chipset > PCH-IO Configuration > SATA Configuration

Feature	Options	Description
SATA Configuration	Info only	
SATA Mode Selection	<b>AHCI</b> Intel RST Premium With Intel Optane System Acceleration	Determines how SATA controller(s) operate.
Serial ATA Port 0	Info only	SATA device info
Serial ATA Port 2	Info only	SATA device info
Serial ATA Port 3	Info only	SATA device info
Serial ATA Port 4	Info only	SATA device info

## C.5.8 Chipset > PCH-IO Configuration > USB Configuration

Feature	Options	Description
USB Configuration	Info only	
USB Overcurrent	Disabled <b>Enabled</b>	Select 'Disabled' for pin-based debug. If pin-based debug is enabled but USB overcurrent is not disabled, USB Dbc does not work.
USB Overcurrent Lock	Disabled <b>Enabled</b>	Select 'Enabled' if Overcurrent functionality is used. Enabling this will make xHCI controller consume the Overcurrent mapping data
USB Port Disable Override	<b>Disable Link</b> Select Per-Pin	Selectively Enables/Disables the corresponding USB port from reporting a Device Connection to the controller.

Feature	Options	Description
U3_USB1_TX_P (EXTERNAL USB)	Disabled <b>Enabled</b>	Enables/Disables this USB Physical Connector (physical port). Once disabled, any USB devices plugged into the connector will not be detected by BIOS or OS.
U3_USB2_TX_P (EXTERNAL USB)	Disabled <b>Enabled</b>	
U3_USB3_TX_P (EXTERNAL USB)	Disabled <b>Enabled</b>	
U3_USB4_TX_P (EXTERNAL USB)	Disabled <b>Enabled</b>	
U3_USB5_TX_P (PIN HEADER USB)	Disabled <b>Enabled</b>	
U3_USB6_TX_P (PIN HEADER USB)	Disabled <b>Enabled</b>	
U2_USB1_P (EXTRENAL USB)	Disabled <b>Enabled</b>	
U2_USB2_P (EXTRENAL USB)	Disabled <b>Enabled</b>	
U2_USB3_P (EXTRENAL USB)	Disabled <b>Enabled</b>	
U2_USB4_P (EXTRENAL USB)	Disabled <b>Enabled</b>	
U2_USB5_P (PIN HEADER USB)	Disabled <b>Enabled</b>	
U2_USB6_P (PIN HEADER USB)	Disabled <b>Enabled</b>	
U2_USB7_P (M.2 Key_B)	Disabled <b>Enabled</b>	
U2_USB8_P (M.2 Key_E)	Disabled <b>Enabled</b>	
U2_USB9_P (INTERNAL USB)	Disabled <b>Enabled</b>	
U2_USB14_P (INTERNAL USB)	Disabled <b>Enabled</b>	

### C.5.9 Chipset > PCH-IO Configuration > Security Configuration

Feature	Options	Description
Security Configuration	Info only	
BIOS Lock	<b>Disabled</b> Enabled	Enables/Disables the PCH BIOS Lock Enable feature. Required to be enabled to ensure SMM protection of flash.

### C.5.10 Chipset > PCH-IO Configuration > HD Audio Configuration

Feature	Options	Description
HD Audio Configuration	Info only	
HD Audio	Disabled <b>Enabled</b>	Controls Detection of the HD-Audio device.

## C.6 Security

### C.6.1 Security > Password Description

Feature	Options	Description
Password Description	Info only	
Administrator Password	Enter password	Sets Administrator Password
User Password	Enter password	Sets User Password
Secure Boot menu ►	Submenu	Secure Boot configuration

### C.6.2 Security > Secure Boot menu

Feature	Options	Description
Secure Boot	Info only	
System Mode	Info only	Setup / User / Audit / Deployed
Secure Boot	Info only	Active / Not Active
Vendor Keys	Info only	Valid / Modified
Secure Boot Control	<b>Disabled</b> Enabled	Secure Boot feature is Active if Secure Boot is Enabled, Platform Key(PK) is enrolled and the System is in User mode. Changing this requires a platform reset.
Secure Boot Mode	<b>Standard</b> Custom	Secure Boot mode options: Standard or Custom. In Custom mode, Secure Boot Policy variables can be configured by a physically present user without full authentication.
Key Management ►	Sub-Menu	Enables expert users to modify Secure Boot Policy variables without full authentication.

### C.6.3 Security > Secure Boot menu > Key Management

Feature	Options	Description
This sub-menu is provided by AMI.		

## C.7 Boot

### C.7.1 Boot > Boot Configuration

Feature	Options	Description	
Boot Configuration	Info only		
Setup Prompt Timeout	1	Number of seconds to wait for setup activation key. 65535 (0xFFFF ) means indefinite waiting.	
Bootup NumLock State	On <b>Off</b>	Selects the keyboard NumLock state.	
Quiet Boot	Disabled <b>Enabled</b>	Enables/Disables Quiet Boot option.	
Fast Boot	<b>Disabled</b> Enabled	Enables/Disables boot with initialization of a minimal set of devices required to launch active boot option. Has no effect for BBS boot options.	
Boot Configuration	Info only		
Boot Option #1	Hard Disk	<b>Hard Disk</b>	Sets the system boot order
Boot Option #2	CD/DVD	<b>CD/DVD</b>	
Boot Option #3	USB Hard Disk	<b>USB Hard Disk</b>	
Boot Option #4	USB CD/DVD	<b>USB CD/DVD</b>	
Boot Option #5	USB Key	<b>USB Key</b>	
Boot Option #6	USB Floppy	<b>USB Floppy</b>	
Boot Option #7	USB Lan	<b>USB Lan</b>	
Boot Option #8	Network Disabled	<b>Network</b>	
UEFI [Device] BBS Priorities ►	Sub-Menu	Specifies the Boot Device Priority sequence from available UEFI device	

### C.7.2 Boot > Boot Configuration > UEFI [Device] BBS Priorities

Feature	Options	Description
Boot Option #[Num]	[Device] Disabled	Sets the system boot order

## C.8 Save & Exit

Feature	Options	Description
Save Changes and Exit	Yes No	Exits system setup after saving the changes.
Discard Changes and Exit	Yes No	Exits system setup without saving any changes.
Save Changes and Reset	Yes No	Resets the system after saving the changes.
Discard Changes and Reset	Yes No	Resets system setup without saving any changes.
Save Options	Info only	
Save Changes	Yes No	Saves changes done so far to any of the setup options.
Discard Changes	Yes No	Discards changes done so far to any of the setup options.
Restore Defaults	Yes No	Restores/Loads default values for all the setup options.
Save as User Defaults	Yes No	Saves the changes done so far as User Defaults.
Restore User Defaults	Yes No	Restores the User Defaults to all the setup options.
Boot Override	Info only	
Boot options	Do one time boot override to boot selected boot option.	

This page intentionally left blank.



## Appendix D DisplayPort BIOS Settings

This appendix describes use of the DisplayPort BIOS settings for MXM modules.

### D.1 MXM P1000/P2000/T1000/RTX3000/RTX5000

BIOS Setting			DisplayPort			
Primary Display	Internal Graphics	LVDS	POST Stage		Windows 10	
			DP from CPU	DP from MXM	DP from CPU	DP from MXM
IGFX	Enabled	Enabled	Yes	No	Yes	Yes
PEG	Enabled	Enabled	No	Yes	No	Yes
Auto	Enabled	Enabled	No	Yes	No	Yes
IGFX	Disabled	Enabled	No	No	No	Yes
PEG	Disabled	Enabled	No	Yes	No	Yes
Auto	Disabled	Enabled	No	Yes	No	Yes
IGFX	Auto	Enabled	Yes	No	Yes	Yes
PEG	Auto	Enabled	No	Yes	No	Yes
Auto	Auto	Enabled	No	Yes	No	Yes
IGFX	Enabled	Disabled	Yes	No	Yes	Yes
PEG	Enabled	Disabled	No	Yes	Yes	Yes
Auto	Enabled	Disabled	No	Yes	Yes	Yes
IGFX	Disabled	Disabled	No	No	No	Yes
PEG	Disabled	Disabled	No	Yes	No	Yes
Auto	Disabled	Disabled	No	Yes	No	Yes
IGFX	Auto	Disabled	Yes	No	Yes	Yes
PEG	Auto	Disabled	No	Yes	No	Yes
Auto	Auto	Disabled	No	Yes	No	Yes

## D.2 MXM P3000/P5000

BIOS Setting			DisplayPort			
Primary Display	Internal Graphics	LVDS	POST Stage		Windows 10	
			DP from CPU	DP from MXM	DP from CPU	DP from MXM
IGFX	Enabled	Enabled	Yes	No	Yes	Yes
PEG	Enabled	Enabled	No	Yes	No	Yes
Auto	Enabled	Enabled	No	Yes	No	Yes
IGFX	Disabled	Enabled	No	Yes	No	Yes
PEG	Disabled	Enabled	No	Yes	No	Yes
Auto	Disabled	Enabled	No	Yes	No	Yes
IGFX	Auto	Enabled	Yes	No	Yes	Yes
PEG	Auto	Enabled	No	Yes	No	Yes
Auto	Auto	Enabled	No	Yes	No	Yes
IGFX	Enabled	Disabled	Yes	No	Yes	Yes
PEG	Enabled	Disabled	No	Yes	Yes	Yes
Auto	Enabled	Disabled	No	Yes	Yes	Yes
IGFX	Disabled	Disabled	No	Yes	No	Yes
PEG	Disabled	Disabled	No	Yes	No	Yes
Auto	Disabled	Disabled	No	Yes	No	Yes
IGFX	Auto	Disabled	Yes	No	Yes	Yes
PEG	Auto	Disabled	No	Yes	Yes	Yes
Auto	Auto	Disabled	No	Yes	Yes	Yes



NOTE:

When using a four DisplayPort configuration, use vBIOS 86.04.70.00.3D with the P3000, and vBIOS 86.04.70.00.3C with the P5000.

## Appendix E Digital Input/Output Function Library

DI/O provides input/output to support inter-device communications. Simple programming guides allow easy transmission of digital signals between the system and attached peripherals.

### DI/O with API/Windows

DLAP-3100 DI/O API library files and a demo program (including source code) can be downloaded from [https://www.adlink-tech.com/Products/Industrial\\_PCs\\_Fanless\\_Embedded\\_PCs/IPCSystems/DLAP-3100-CF\\_Series](https://www.adlink-tech.com/Products/Industrial_PCs_Fanless_Embedded_PCs/IPCSystems/DLAP-3100-CF_Series).

To use the DI/O function library for the DLAP-3100 series, include the header file (GpioLib.h) and linkage library (GpioLib.lib) in the C++ project. DI/O functions are as follows.

#### GPIO\_Init

This API checks if the GPIO driver handle is valid.

```
char GPIO_Init ()
```

#### Return values:

**GPIO\_OK** on success. **GPIO\_ERROR** on failure.

#### GPI\_Read

This API reads the digital input (DI) pin status:

```
char GPI_Read(UCHAR GpioNum, PUCHAR data)
```

#### Arguments:

*GpioNum*: The number of a digital input pin (0-3)

*data*: The digital input pin status will be copied to this address reference

#### Return values:

**GPIO\_OK** on success. **GPIO\_ERROR** on failure.

### **GPO\_Write**

This API is used to write the new state of a digital output (DO):

```
char GPO_Write(UCHAR GpioNum, UCHAR GpioPortVal)
```

#### **Arguments:**

*GpioNum*: The number of a digital output pin (4-7).

*GpioPortVal*: A new output state 0 or 1.

#### **Return values:**

**GPIO\_OK** on success. **GPIO\_ERROR** on failure.

### **RegisterInterruptEvent**

The event passed will be signaled when there is a change in state on a digital input pin. This API is used to register the event.

```
char RegisterInterruptEvent(HANDLE Event, UCHAR Pin)
```

#### **Argument:**

*Event*: Handle of the event that wait for Interrupt notification.

*Pin*: The number of an input pin.

#### **Return values:**

**GPIO\_OK** on success. **GPIO\_ERROR** on failure.

## Important Safety Instructions

For user safety, please read and follow all instructions, Warnings, Cautions, and Notes marked in this manual and on the associated device before handling/operating the device, to avoid injury or damage.


- ▶ Read these safety instructions carefully.
- ▶ Keep the User's Manual for future reference.
- ▶ Read the Specifications section of this manual for detailed information on the recommended operating environment.
- ▶ The device can be operated at an ambient temperature of 45°C with DC input, and 35°C with adapter input.
- ▶ It is recommended that the device be installed in Information Technology Rooms that are in accordance with Article 645 of the National Electrical Code and NFPA 75.
- ▶ To avoid electrical shock and/or damage to device:
  - ▷ Keep device away from water or liquid sources.
  - ▷ Keep device away from high heat or humidity.
  - ▷ Keep device properly ventilated (do not block or cover ventilation openings).
  - ▷ Always use recommended voltage and power source settings.
  - ▷ Always install and operate device near an easily accessible electrical outlet.
  - ▷ Secure the power cord (do not place any object on/over the power cord).
  - ▷ Only install/attach and operate device on stable surfaces and/or recommended mountings.
  - ▷ The power cord must be connected to a socket or outlet with a ground connection.
- ▶ If the device will not be used for long periods of time, turn off and unplug from its power source.
- ▶ Never attempt to repair the device, which should only be serviced by qualified technical personnel using suitable tools.

- ▶ A Lithium-type battery may be provided for uninterrupted backup or emergency power.



Risk of explosion if battery is replaced with one of an incorrect type; please dispose of used batteries appropriately.

- ▶ This equipment is not suitable for use in locations where children are likely to be present.
- ▶ The device must be serviced by authorized technicians when:
  - ▷ The power cord or plug is damaged
  - ▷ Liquid has entered the device interior
  - ▷ The device has been exposed to high humidity and/or moisture
  - ▷ The device is not functioning or does not function according to the User's Manual
  - ▷ The device has been dropped and/or damaged and/or shows obvious signs of breakage
- ▶ Disconnect the power supply cord before loosening the thumbscrews and always fasten the thumbscrews with a screwdriver before starting the system up
- ▶ It is recommended that the device be installed only in a server room or computer room where access is:
  - ▷ Restricted to qualified service personnel or users familiar with restrictions applied to the location, reasons therefor, and any precautions required
  - ▷ Only afforded by the use of a tool or lock and key, or other means of security, and controlled by the authority responsible for the location

	<p style="text-align: center;"><b>BURN HAZARD</b></p> <p><b>Hot surface! Do not touch!</b> Touching this surface could result in bodily injury. To reduce risk, allow the surface to cool before touching.</p>
---	--

## Consignes de Sécurité Importante

*S'il vous plaît prêter attention stricte à tous les avertissements et mises en garde figurant sur l'appareil, pour éviter des blessures ou des dommages.*

- ▶ *Lisez attentivement ces consignes de sécurité.*
- ▶ *Conservez le manuel de l'utilisateur pour pouvoir le consulter ultérieurement.*
- ▶ *Lisez la section Spécifications de ce manuel pour des informations détaillées sur l'environnement d'exploitation recommandé.*
- ▶ *L'appareil peut être utilisé à une température ambiante de 45°C avec entrée CC pour les série MVP-61; 35°C avec entrée adaptateur pour la série MVP-61.*
- ▶ *Il est recommandé d'installer l'appareil dans des salles de technologie de l'information conformes à l'article 645 du National Electrical Code et à la NFPA 75.*
- ▶ *Pour éviter les chocs électriques et/ou d'endommager l'appareil:*
  - ▷ *Tenez l'appareil à l'écart de toute source d'eau ou de liquide.*
  - ▷ *Tenez l'appareil à l'écart d'une forte chaleur ou d'une humidité élevée.*
  - ▷ *Maintenez l'appareil correctement ventilé (n'obstruer ou ne couvrez pas les ouvertures de ventilation).*
  - ▷ *Utilisez toujours les réglages de tension et de source d'alimentation recommandés.*
  - ▷ *Installez et utilisez toujours l'appareil près d'une prise de courant facilement accessible.*
  - ▷ *Fixez le cordon d'alimentation (ne placez aucun objet sur le cordon d'alimentation).*
  - ▷ *Installez/fixez et utilisez l'appareil uniquement sur des surfaces stables et/ou sur les fixations recommandées.*
  - ▷ *Le cordon d'alimentation doit être connecté à une prise ou à une prise de courant avec mise à la terre.*

- ▶ Si l'appareil ne doit pas être utilisé pendant de longues périodes, éteignez-le et débranchez-le de sa source d'alimentation
- ▶ *N'essayez jamais de réparer l'appareil, qui ne doit être réparé que par un personnel technique qualifié à l'aide d'outils appropriés*
- ▶ *Une batterie de type Lithium peut être fournie pour une alimentation de secours ininterrompue ou d'urgence.*



---

*ATTENTION: Risque d'explosion si la pile est remplacée par une autre de type incorrect. Veuillez jeter les piles usagées de façon appropriée.*

---

- ▶ *Cet équipement ne convient pas à une utilisation dans des lieux pouvant accueillir des enfants.*
- ▶ *L'appareil doit être entretenu par des techniciens agréés lorsque:*
  - ▶ *Le cordon d'alimentation ou la prise est endommagé(e)*
  - ▶ *Un liquide a pénétré à l'intérieur de l'appareil.*
  - ▶ *L'appareil a été exposé à une forte humidité et/ou de la buée.*
  - ▶ *L'appareil ne fonctionne pas ou ne fonctionne pas selon le manuel de l'utilisateur.*
  - ▶ *L'appareil est tombé et/ou a été endommagé et/ou présente des signes évidents de dommage.*
  - ▶ *Débranchez le cordon d'alimentation avant de desserrer les vis à oreilles et serrez toujours les vis à oreilles avec un tournevis avant de mettre le système en marche.*
- ▶ *Il est recommandé d'installer l'appareil uniquement dans une salle de serveurs ou une salle informatique où l'accès est:*
  - ▷ *Réservé au personnel de service qualifié ou aux utilisateurs familiarisés avec les restrictions appliquées à l'emplacement, aux raisons de ces restrictions et toutes les précautions requises*
  - ▷ *Uniquement autorisé par l'utilisation d'un outil, d'une serrure et d'une clé, ou d'un autre moyen de sécurité, et contrôlé par l'autorité responsable de l'emplacement.*



**RISQUE DE BRÛLURES**

**Partie chaude!** Ne touchez pas cette surface, cela pourrait entraîner des blessures. Pour éviter tout danger, laissez la surface refroidir avant de la toucher.

This page intentionally left blank.

# Getting Service

Ask an Expert: <http://askanexpert.adlinktech.com>

## **ADLINK Technology, Inc.**

No. 66, Huaya 1st Rd., Guishan District  
Taoyuan City 333411, Taiwan  
Tel: +886-3-216-5088  
Fax: +886-3-328-5706  
Email: [service@adlinktech.com](mailto:service@adlinktech.com)

## **Ampro ADLINK Technology, Inc.**

5215 Hellyer Avenue, #110  
San Jose, CA 95138, USA  
Tel: +1-408-360-0200  
Toll Free: +1-800-966-5200 (USA only)  
Fax: +1-408-360-0222  
Email: [info@adlinktech.com](mailto:info@adlinktech.com)

## **ADLINK Technology (China) Co., Ltd.**

300 Fang Chun Rd., Zhangjiang Hi-Tech Park  
Pudong New Area, Shanghai, 201203 China  
Tel: +86-21-5132-8988  
Fax: +86-21-5132-3588  
Email: [market@adlinktech.com](mailto:market@adlinktech.com)

## **ADLINK Technology GmbH**

Hans-Thoma-Straße 11  
D-68163 Mannheim, Germany  
Tel: +49-621-43214-0  
Fax: +49-621 43214-30  
Email: [emea@adlinktech.com](mailto:emea@adlinktech.com)

Please visit the Contact page at [www.adlinktech.com](http://www.adlinktech.com) for information on how to contact the ADLINK regional office nearest you:

